



# The Urban Cultivator Residential

## User Manual



# Contact Urban Cultivator

Let our friendly Grow Consultants show you how to get the most from an Urban Cultivator.

Call our head office seven days a week for any of your growing needs.

**Masterzen Showroom**  
**Trion Ierarchon 4, 11851, Athens**  
**211 1137029**  
**[www.masterzen.gr](http://www.masterzen.gr)**

Like and follow us on Facebook, Instagram, and Twitter:



[/masterzen.co](https://www.facebook.com/masterzen.co)



[@masterzen.co](https://www.instagram.com/masterzen.co)



[@masterzen.co](https://twitter.com/masterzen.co)

Tag your posts with #masterzen.co so we can share them on our pages!

# Contents

<b>Safety Precautions</b>	4	<b>Planting, Growing, and Cultivation Guide</b>	15
Child safety			
Safety precautions in daily use		<b>Frequently Asked Questions and Growing Tips</b>	16
Disposal			
Built-in specifications		<b>Maintenance Procedures and Tips</b>	18
<b>Unpacking Your Cultivator</b>	6	Cleaning the grow drawers	
Hardware and accessories		Additional cleaning every 3 months	
		Cleaning the counter top	
<b>Before You Install</b>	7	<b>Sanitation and Food Safety Recommendations</b>	19
Your environment			
Electrical connection		<b>Enclosure Specifications</b>	20
Securing grow lights			
<b>Set Mode Options</b>	8	<b>Technical Specifications</b>	21
Stand-alone option			
City mains option		<b>Service and Spare Parts</b>	22
<b>Stand-alone Installation Instructions</b>	10	Customer Care	
Installing castor wheels (optional)		Standard Guarantee Condition	
Installing counter top (optional)		Connect With Us	
<b>Connecting the Power, Water, and Electricity</b>	11		
<b>How Your Urban Cultivator Residential Works</b>	12		
The grow drawers			
The control panel			
Planting your first herbs and microgreens			

# Safety Precautions

Urban Cultivator cares about your plants and your safety. We want you to be familiar with the following safety instructions.

It is important that this instruction manual remains with the Urban Cultivator Residential appliance so that new owners can also learn about the product and relevant safety precautions.

You must carefully read through this instruction manual before installing and using the Urban Cultivator Residential.

If you are unclear about any aspect of information within please contact Urban Cultivator using [support@urbancultivator.net](mailto:support@urbancultivator.net) or telephone our toll free number 1-877-352-0490, available Monday-Friday, 08:00-16:00 PST.

## Child safety

- This appliance is designed to be operated by adults.
- The water from your Urban Cultivator Residential is not for drinking.
- Keep your Seeds, Nutrients and Growing Mediums in a safe, dry storage area.



The Cultivator's control panel has a child safety lock. Refer to the Control Panel Table for more information.

## Safety precautions in daily use

- Do not sit or stand on the open door.
- Contaminated items and/or garbage must not be present in the Urban Cultivator Residential.
- Do not remove the grow trays or lighting shelf when the machine is watering or providing light. Refer to the control panel table for instructions on controlling the watering and lighting schedules.
- Only use products that have been designed to be used with the Urban Cultivator Residential.
- Ensure that the Urban Cultivator Residential door is always closed to avoid injury.
- Always unplug the power cord from the outlet and disconnect the water mains when not in use.
- The Urban Cultivator Residential must be serviced by a licensed professional.
- Only use genuine spare parts from Urban Cultivator or that have been CSA, UL, or CE approved. Using unauthorized components voids your warranty.
- Any attempts to fix the Urban Cultivator Residential without an authorised professional can be dangerous and will void your warranty.
- Be careful when removing the drawers as they may be heavy and unevenly balanced. We recommend putting them on your kitchen counter with the back of the drawer towards the sink where they can be safely and easily accessed when you are working with your plants.

# Safety Precautions Cont'd



Whenever you take a grow drawer out be careful of water that may not have drained completely after a watering cycle. It can take up to ten minutes for the grow drawer to drain.

## Disposal

- All packaging, cardboard or otherwise, can be recycled.
- The unit must be taken to a recycling centre for disposal should you cease to use your Urban Cultivator Residential, as many of its components can be recycled.

## Built-in specifications

The Urban Cultivator Residential has been designed to fit under a North American kitchen counter top or work surface as a single cupboard unit. It can slide between other cupboards and only requires one opening at the front.

While no vent openings are required, you need to allow the water fill and drain hose, as well as the power supply cable, to pass through from the rear of the unit. Be advised to keep electrical cord accessible for maintenance purposes.

Ensure that your Urban Cultivator Residential is levelled. Refer to the external dimensions and installation manual diagram.

The unit should be removable for service and mounted at floor level.



The Urban Cultivator Residential is available with lockable castor wheels or adjustable feet so you can adjust its height.



Be advised that the Urban Cultivator can safely manage water pressures up to 60psi. Any pressurization exceeding this amount can result in mechanical failure, leaks and flooding.

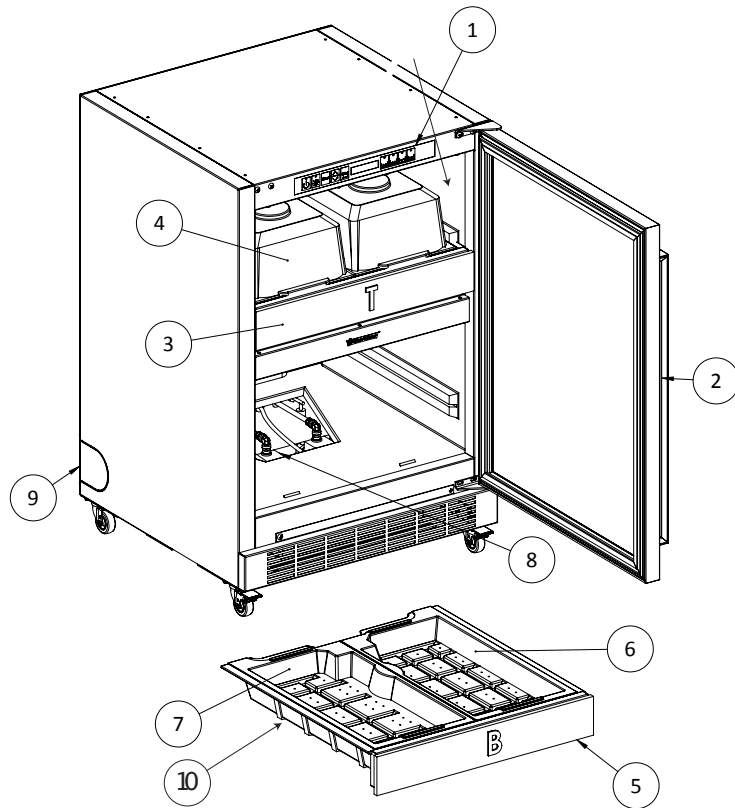
# Unpacking Your Cultivator

Carefully open the product packaging and remove the Urban Cultivator Residential. We recommend that two people should remove the unit.

## Hardware and accessories

Please check that all of the components for your Urban Cultivator Residential are accounted for, and that none have been damaged in shipping. Please refer to the checklist below:

- 1 Control Panel
- 2 Door
- 3 Top Drawer
- 4 Humidity Domes
- 5 Bottom Drawer
- 6 Right Tray
- 7 Left Tray
- 8 Reservoir
- 9 Utility Connections
- 10 Accessories



**Fragile Components**

- Grow Lights (x4)
- Glass Panel & Thumb Screws (2)

\*Refer to Securig Grow Lights section pg 7.

For Stand Alone  
Optional Drain Hose With Valve

For City Water Hook Ups  
Braided City Hose & City Drain Hose



Check the Urban Cultivator Residential for any shipping damage. Never connect or start growing with a damaged machine. Please contact us on our toll free number 1-877-352-0490 or email support@urbancultivator.net if your Urban Cultivator Residential is damaged.

# Before You Install

## Your environment

The Urban Cultivator Residential has been designed to work inside your home. Ideally, the ambient room temperature should be 64 to 82°F (18to 28°C), and relative humidity between 30% to 60%.

## Electrical connection

The Urban Cultivator Residential must be grounded (earthed). Urban Cultivator does not accept any responsibility should this safety measure not be followed.



Electricity can be dangerous and an unsafe plug inserted into a power socket could result in a serious safety hazard. Do not connect the Urban Cultivator Residential via an extension cable.



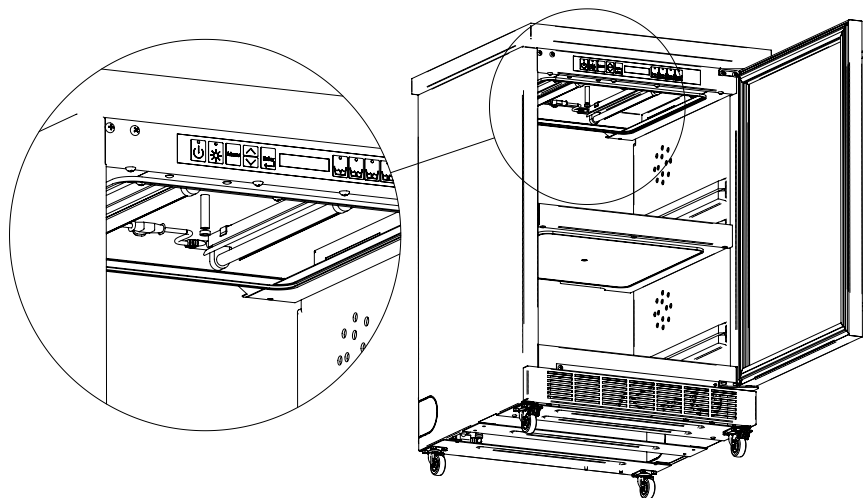
Ensure that the plug is still accessible after the Urban Cultivator Residential has been installed. If you need to replace the electrical cable call us toll free on 1-877-352-0490 or email [support@urbancultivator.net](mailto:support@urbancultivator.net).

## Securing grow lights

1. Thumb screw: turn clockwise to tighten and anti-clockwise to loosen and release the glass light cover.
2. Twist and pull to release: turn bulb clockwise or anti-clockwise a 1/4turn to release or lock grow light.
3. Grow lights can sometimes loosen during shipping.

## Water pressure

Before installingthe Urban Cultivator Residential, check your water pressure gauge to ensure your psi value is 60 or under. Water pressure above 60psi can damage machine components, thereby causing leaks and flooding.



# Set Mode Options

## Stand-alone option


This option is the choice of the buyer not to have the unit connected directly to the city's water supply and will therefore need to **FILL** and **DRAIN** reservoir manually. If you have chosen this option your unit comes equipped with a clear drain hose with a blue/red valve connected to the unit at the left outside corner of the unit. Check that this blue/red valve is in the **closed position** unless actively draining into a receptacle. Failure to do so can cause flooding.

**To check the SET MODE OPTION to select STANDALONE mode on your unit:**

Unlock Screen   for 3 seconds.


Press Menu  to get to SET MODE.

Press Enter  to select.


Press Down  to NO PLUMBING STANDALONE.

Press Enter  to select.

**To DRAIN water manually:**

When the  button is flashing green, it's time to change the water in your reservoir. In stand alone mode, this is done manually.


To drain the reservoir manually:

- Place the clear drain hose from the back of the machine into a bucket or tub.
- Press  from the menu on your machine until it reads Drain.
- Select Y and press Enter.
- Discard the water.

**To FILL the reservoir manually**

- Remove the bottom grow drawer to expose the water reservoir.
- Use a bucket, tub or hose to slowly fill reservoir with water until you see it full.



The factory default and recommended setting to recycle your unit is 7 days. The  will flash green to indicate 7 days have passed and its time to **DRAIN** and **FILL**.

## City mains option

This option is the choice of the buyer and must be connected to your city water supply by a licensed plumber. This option allows for automatic **FILL** and **DRAIN** of your unit.

The Urban Cultivator Residential should be connected to cold water from your city mains supply located within five feet from the Cultivator.

The unit also needs to be connected to your city drain that should be no higher than two feet from ground level. The unit is intended to be permanently connected to the city mains supply and not connected by a hose-set.

The water hose is located in the accessories bag and comes with a 3/8" hose connection. Connect the valve from your Urban Cultivator Residential to your city water line, which should supply a water pressure of around 60psi for the Urban Cultivator Residential to be able to fill and drain its reservoir effectively. If your water pressure exceeds 60psi, get a licensed plumber to install a water pressure reducer. (Once everything is connected, **switch to city mode** under menu options.)

### To check the SET MODE OPTION to select CITY Mode on your unit:

Unlock Screen   for 3 seconds.

Press Menu  to get to SET MODE.

Press Enter  to select.

Press Up  to CITY MAINS

Press Enter  to select.



Pipes that have not been in regular use should be cleaned with running water before connecting the Urban Cultivator Residential.



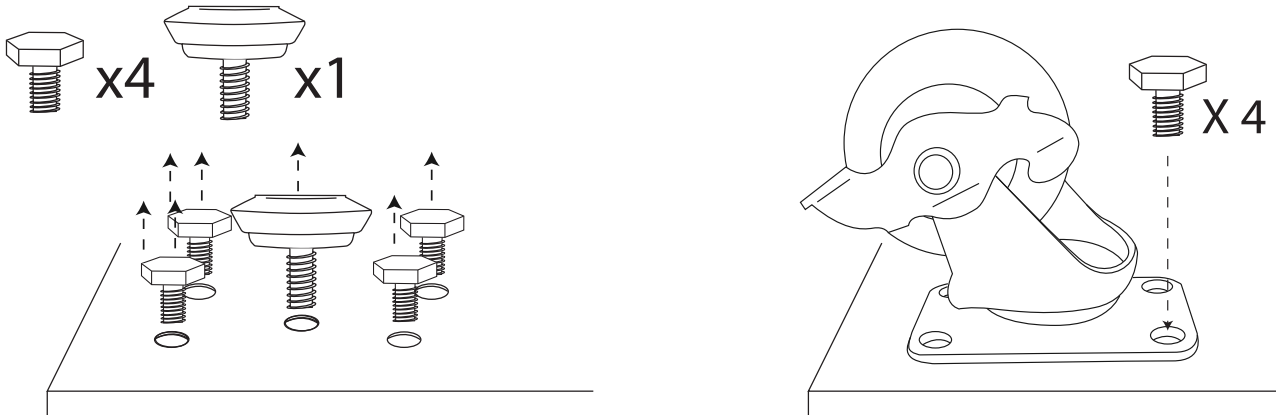
Make sure that the water inlet and drain hoses are free of debris or dirt and are not twisted, crushed, entangled, or leaking in any way. Do not use connection hoses that have been used previously by other appliances.

# Stand-alone Intallation Instructions

## Installing castor wheels (stand-alone model)

To install castor wheels:

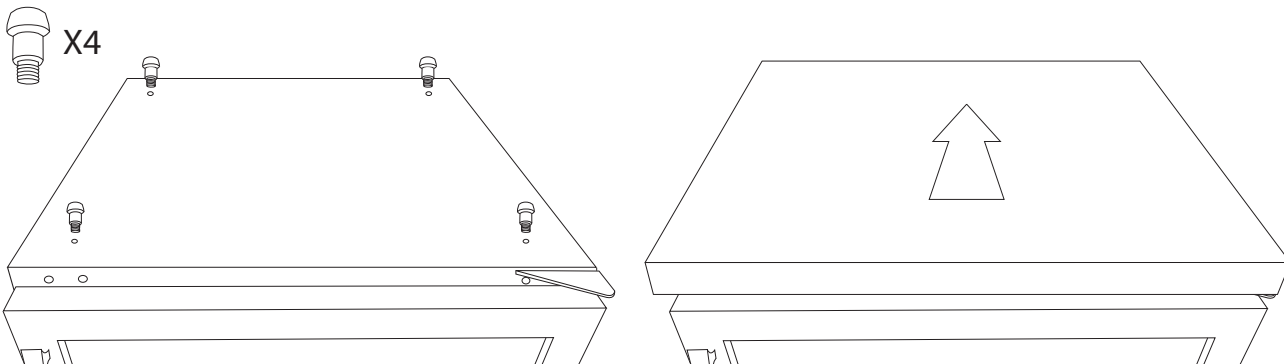
1. Tip Cultivator on its back so you can access the feet and bolts.
2. Remove the four bolts and one rubber foot from each corner on the bottom of your Urban Cultivator Residential.
3. Secure castor wheels to the unit using the same bolts.



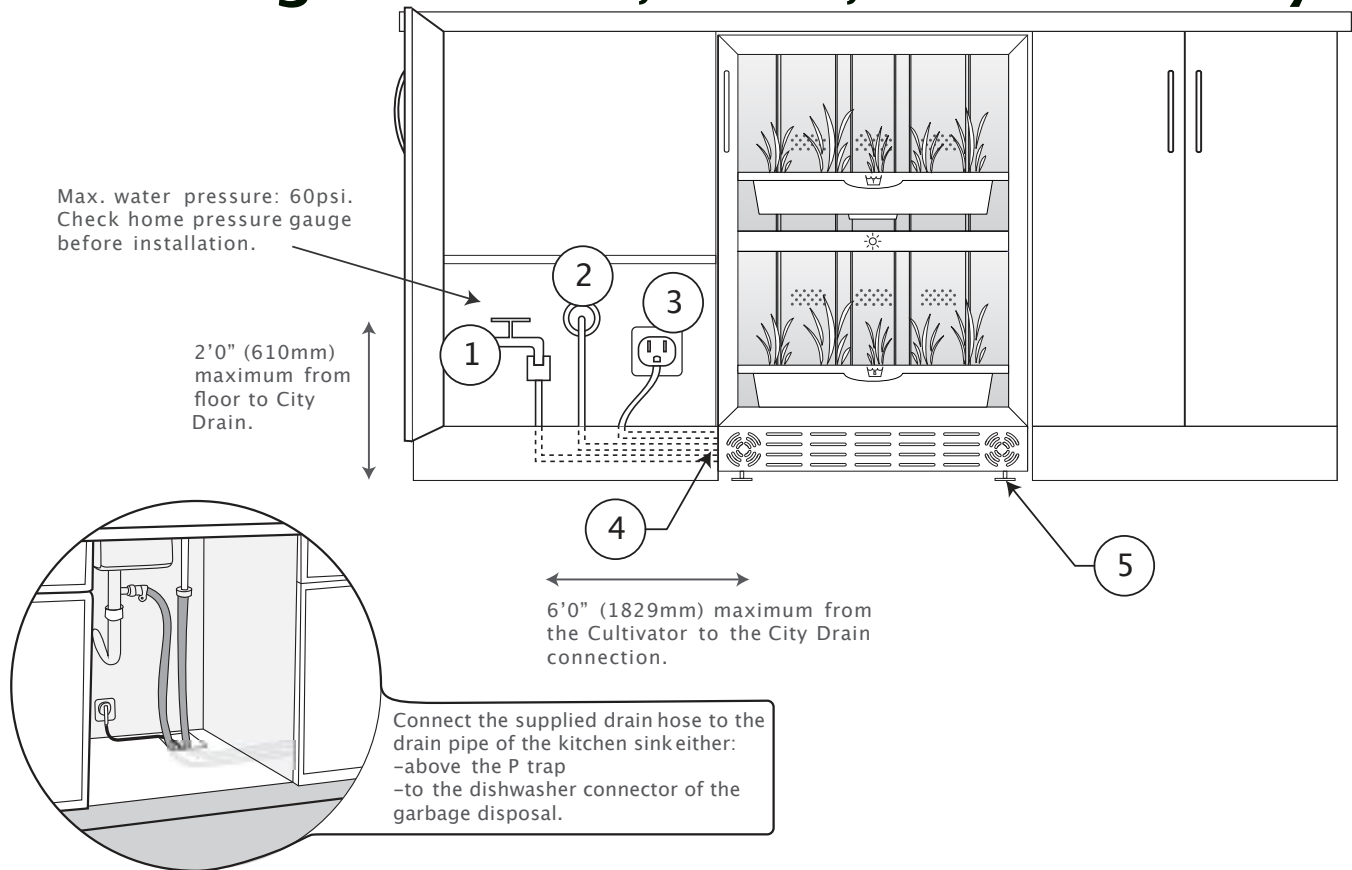
## Installing countertop (stand-alone model)

To install the countertop piece:

1. Remove the four black plastic filler pegs from the four holes in the top of the machine
2. Screw in the four stainless steel studs that were provided with your Urban Cultivator Residential counter top.
3. Position the counter top piece onto the studs and slide towards the back of the machine to lock the counter top into place.



# Connecting the Power, Water, and Electricity



## Numbered Items

### 1. City Water In Connection (Min 30psi required)

Use braided City Hose to connect to your city water connection. The hose comes with a standard 5/8" compression fitting.

### 2. City Drain Out Connection

Connect the City Drain Hose (1/2" to 3/4" hose connection) to your city drain which should be no further than 6' from the Cultivator and 2' up from the floor.

### 3. Power Connection


Connect the Cultivator to a standard 110/240V power outlet. The electricity plug should be no further than 2' away from the unit and should run out on the same side as the water and drain hose. The wall receptacle is non-replaceable.


### 4. Hole Size For All Connections

Use a 4" hole saw and remove part of the bottom shelf of the cabinet adjacent to the Cultivator where all the connections run from.

### 5. Adjustable Feet

Twist the Cultivator's feet to adjust its overall height from 34 1/4" to 34 1/2" **Ensure product is level.**

 Leave 1/2" clearance gap for the door swing and handle when installing the Urban Cultivator Residential adjacent to a wall.

 Water In, City Drain Out & Electricity connections run out from one side only, the left. Please contact Urban Cultivator using [support@urbancultivator.net](mailto:support@urbancultivator.net) or call us toll-free: +1877352 0490 available Monday-Friday. 8:00-16:00 PST.

DISCLAIMER: Please make sure that the length of the drain line does not exceed 6ft. In the event that a pump is used, make sure it has capacity exceeding 80GPH. Urban Cultivator will not be responsible for any losses arising from usage or failure of any additional devices connected to the unit for facilitation of plumbing or drainage. Please refer to applicable local codes for electrical and plumbing installation.

# How Your Urban Cultivator Residential Works

## The grow drawers

Your Urban Cultivator Residential comes with two growing levels referred to as the top and bottom grow drawers. Both drawers are removable to provide easy access for cultivating crops, cleaning, and maintenance.

To continue growing herbs and greens, the drawers must be returned into their original position.

Ensure that the top grow drawer is placed back into the top rails and the bottom grow drawer into the bottom rails. You can do this by sliding the uppermost edge of the grow drawer in-between the drawer guide rails.



Please be careful when removing the drawers as they could be unbalanced, heavy, and contain some residual water.

### WARNING!

The cultivator will water without the drawer in place which will cause flooding. Please ensure drawers are always in place when watering.

#### Disclaimer

Please make sure the top (T) grow drawer is installed when there is a watering program set. Urban Cultivator will not be held responsible for any losses arising from water pumping from the top level without the drawer properly installed.

Call 1-877-352-0490 for Support

- Ensure your top grow drawer is installed when there is a watering program set. Failing to do so there is a chance that water will pump onto the light shelf and possibly on the floor. This may lead to flooding.
- If you remove a grow drawer for more than one day, turn off its watering schedule (refer to the Control Panel table).
- The bottom grow drawer receives water an hour after the top grow drawer.
- Filters located at the back of the grow drawers catch sediment and should be rinsed out with clean water every week.
- The Cultivator will continue to water according to the watering cycle. If the drawers are removed when watering, ensure that the plants receive the water that they have missed.

**DISCLAIMER: Please make sure the top “T” grow drawer is installed when there is a watering program set. Urban Cultivator will not be responsible for any losses incurred from failure to do so.**

# The control panel

The control panel controls the automated function of your Urban Cultivator Residential. You can customize the program using the menu outlined below:

+

Enter

## Safety Lock

Hold both buttons together for 3 second to unlock the Control Panel.  
The Control Panel will lock after 60 seconds of inactivity.

1

**On/Off**

Turns the Urban Cultivator Residential on and off. Will turn off all schedules and lights.

3

**Menu Headings**

Pressing the menu button scrolls through all the menu options

i A city water connection fully automates plant watering and reservoir water levels.

Set Date & Clock	Select Date & Clock.
Set Temp C/F	Set Temp display and Fan Control. (18 C is recommended).
Set lights Time	Set the time for lights to turn on.
Set Water On Time	Control how long to water your plants for. Factory default is 5 minutes (recommended).
Set Recycle Rate	Control how often to drain and fill the reservoir. 7 days is recommended.
Top Up Reservoir	*If connected to city water.
Air Pump On/Off/Cycle	Turning off is not recommended
Set Mode	Select between standalone & city mains.
Urban Cultivator	This displays your program version number.

4

Scroll up the menu.

2

**Lighting Cycles**

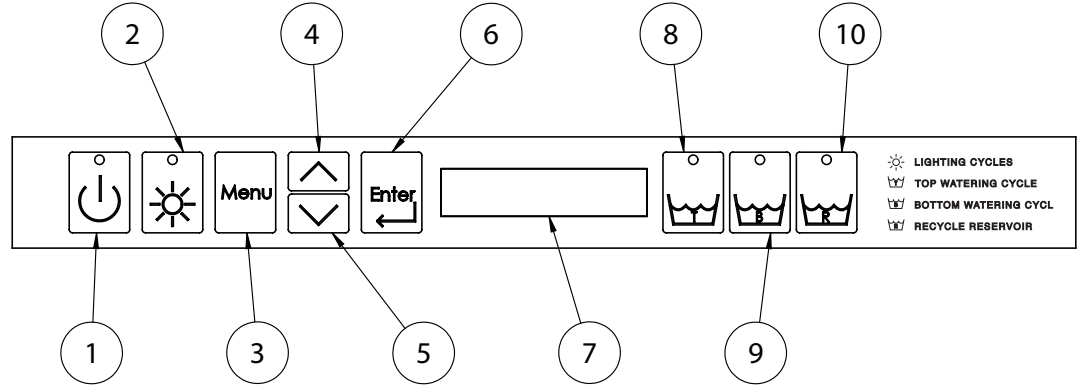
- 12 hours on, 12 hour off.
- 18 hours on 6 hours off (8am is the recommended start time)
- Always on.

5

Scroll down the menu.

6

Press enter to confirm your selection for all available options.



7

**Display**

Time	Temperature
01:46:29 PM	65°F
17/08/2016	50% RH
Date /Reserve Level	Relative Humidity

8

**Top Watering Cycle**

Select schedule.

9

**Bottom Watering Cycle**

Select schedule.

- Once in 2, 3 or 4 days. (3 is recommended)
- Manual Cycle immediately waters your plants then sets your chosen schedule.
- Always off.
- Twice per day.
- Once per day.

NOTE:- After selecting watering schedule you must select manual water to set day 1 of the cycle.

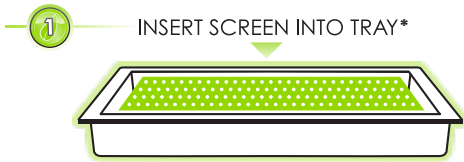
10

**Recycle Reservoir**

Select when you want to manually drain and fill the Reservoir.

- Drain Reservoir - Yes or No
- Fill Reservoir - Yes or No (City Mains Only)

# Planting your first herbs and microgreens

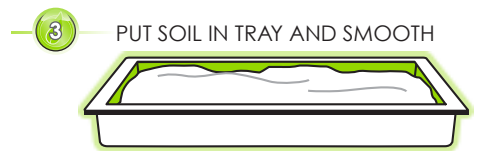


1 INSERT SCREEN INTO TRAY\*

\*Screen not needed for Residential OR soil free grow mat



2 CHOOSE YOUR SOIL (if using)



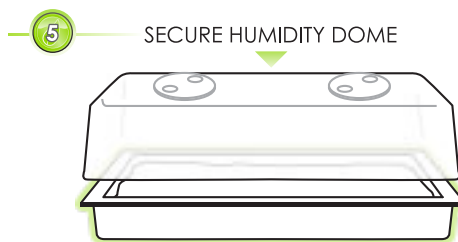
3 PUT SOIL IN TRAY AND SMOOTH

● Fill from 1/2 to 3/4 full if using soil



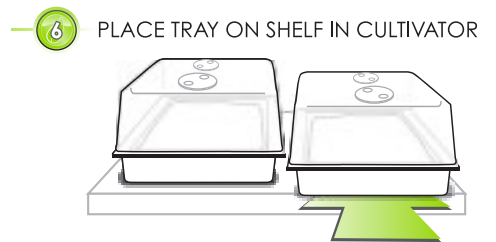
4 SEED EVENLY WITH SHAKER

● Use the empty seed container or a measuring cup to spread seeds evenly over growing medium. Add light dusting of sifted soil.

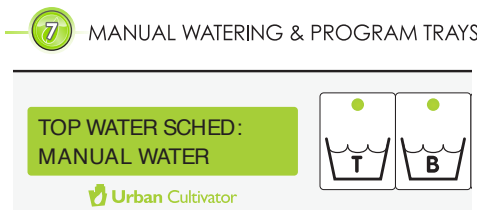


5 SECURE HUMIDITY DOME

● Ensure Vents Are Tightly Closed

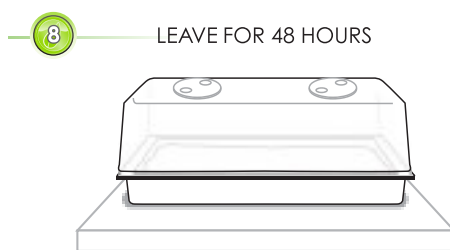


6 PLACE TRAY ON SHELF IN CULTIVATOR



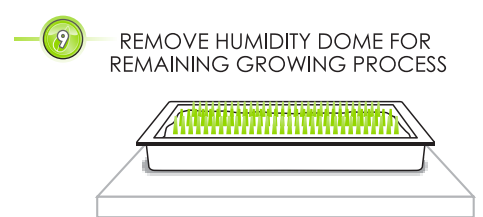
7 MANUAL WATERING & PROGRAM TRAYS

● Set watering schedule and press 'Enter.' Then choose 'Manual Water' and press 'Enter.'

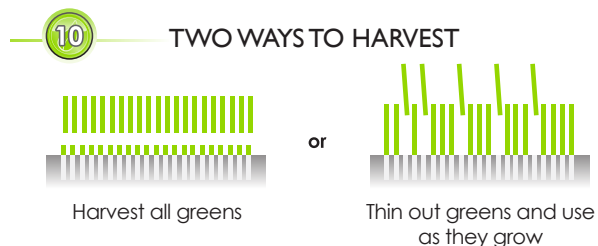


8 LEAVE FOR 48 HOURS

● Leave dome on tray according to the Planting Guide (page 15) or until seeds germinate



9 REMOVE HUMIDITY DOME FOR REMAINING GROWING PROCESS



10 TWO WAYS TO HARVEST

Harvest all greens

Thin out greens and use as they grow



Use the humidity domes and their adjustable air vents for germinating seeds. The domes increase temperature and humidity levels inside to help germinate the seeds.

# Planting, Growing, and Cultivation Guide

Seed	Planting Amounts	Dome On Length	Grow Time	Watering Schedule	Weight Per Flat
Malt Amaranth	2 tsp	2-3days	2 weeks	1 every 4 days	95g
Pepper Arugula	1 tsp	2-3 days	3 weeks	1 every 4 days	145g
Bright Basil	1 tsp	2-3 days	4-5 weeks	1 every 5 days	235g
Crimson Beet Tops	½ cup	2-3 days	2 weeks	1 every 4 days	135g
Mighty Broccoli	1½ tbsp	2-3 days	1 week	1 every 4 days	260g
Rustic Buckwheat*	½ cup	2-3 days	1 week	1 every 3 days	415g
Crunchy Cabbage	1½ tbsp	2-3 days	2 weeks	1 every 4 days	160g
Delicate Chervil	2 tbsp	8-10 days	3 weeks	1 every 4 days	140g
Mild Chives	2 tbsp	4-7 days	2 weeks	1 every 4 days	80g
Fragrant Cilantro	¼ cup	8-10 days	3 weeks	1 every 4 days	135g
Citrus Dill	1 tbsp	4-7 days	3 weeks	1 every 4 days	110g
Maple Fenugreek*	¼ cup	2-3 days	2 weeks	1 every 4 days	200g
Nutty Flax	1 tbsp	2-3 days	2 weeks	1 every 4 days	85g
Power Kale	1 tbsp	2-3 days	2 weeks	1 every 4 days	200g
Earthy Komatsuna	2 tsp	2-3 days	2 weeks	1 every 4 days	200g
Tangy Lemon Balm	½ tsp	8-10 days	4 weeks	1 every 4 days	95g
Robust Lentils*	½ cup	2-3 days	1 week	1 every 4 days	180g
Crisp Lettuce	½ tbsp	4-7 days	3 weeks	1 every 4 days	65g
Aromatic Marjoram	1 tsp	4-7 days	4 weeks	1 every 4 days	40g
Piquant Mizuna	1 tbsp	2-3 days	2 weeks	1 every 4 days	124g
Sharp Mustard	1 tbsp	2-3 days	2 weeks	1 every 4 days	200g
Wasabi Nasturtium*	½ cup	4-7 days	1-2 weeks	1 every 4 days	290g
Wild Oregano	1 tsp	4-7 days	4 weeks	1 every 5 days	30g
Fresh Parsley	1 tbsp	4-7 days	3 weeks	1 every 4 days	168g
Sugar Pea	1 cup	2-3 days	2 weeks	1 every 4 days	300g
Amber Pea*	1 cup	2-3 days	2 weeks	1 every 4 days	300g
Zesty Peppercress	1 tbsp	2-days	2 weeks	1 every 4 days	140g
Indigo Radish*	3 tbsp	2-3 days	1 week	1 every 4 days	340g
Spicy Radish*	2 tbsp	2-3 days	1 weeks	1 every 4 days	300g
Woodsy Sage	2 tbsp	2-3 days	2 weeks	1 every 4 days	85g
Umami Savory	1 tbsp	2-3 days	2 weeks	1 every 5 days	35g
Licorice Shiso	2 tsp	2-3 days	2-3 weeks	1 every 4 days	128g
Tart Sorrel	2 tsp	2-3 days	2 weeks	1 every 4 days	92g
Ruby Veined Sorrel	1 tsp	4-7 days	2-3 weeks	1 every 4 days	165g
Hearty Sunflower*	1 cup	2-3 days	1 week	1 every 4 days	380g
Bold Swiss Chard	½ cup	4-7 days	3 weeks	1 every 4 days	134g
Bangkok Basil	1 tsp	2-3 days	4-5 weeks	1 every 5 days	235g
Minty Thyme	2 tsp	4-7 days	4 weeks	1 every 5 days	50g
Sweet Wheatgrass*	1 cup	2-3 days	1 week	1 every 4 days	258g

\*HydroponicOption: When using hydroponic grow mat change watering schedule as per predirections on the package

CompressedPeat Sheets Option: Must water twice to expand then watering schedule should be 1per 4 days.

# Frequently Asked Questions and Growing Tips

## What kind of soil should I use?

Sunshine #4 or Premier HP or similar soil containing;  
Ingredients: 65–75% Sphagnum Peat Moss, Perlite, Dolomitic Lime, Wetting Agent...NO BARK OR SLOW RELEASE FERTILIZER

## Can I use it more than once?

No, it is a one-time planting.

## How much soil should I put in my trays?

Fill each tray 1/2 to 3/4 with the above recommended soil type. 1/2 for short term micros and 3/4 for longer term herbs & micros. See our Planting, Growing and Cultivation Guide on pg 15.

## Do I mix in my seeds or cover them with soil?

We have found great results by covering the newly sown seeds with a light dusting of soil that has been sifted through a kitchen strainer. The finer soil spreads nicely and makes a protective blanket during germination.

## What other types of grow mediums can I use?

Peat: Urban Cultivator supplies a compressed peat sheet from the online store cut to fit the Residential model ([www.urbancultivator.net](http://www.urbancultivator.net)) It requires a different watering schedule and procedure indicated on the package. A light dusting of soil is also recommended to assist germination.

## Can I grow hydroponically?

Yes, you can grow specific microgreens using our Fabric Sheets available from our online store. It requires different nutrients, watering schedule and procedure indicated on the package. See our Planting, Growing and Cultivation Guide for specific seeds suited for hydroponic growing.

## How many trays will I get out of one of my seed containers?

You will get approximately 4 trays out of every Urban Cultivator seed container. You can sow heavier and thin out young plants and use or sow thinner and let them grow until harvest. Try using the shaker to sow seeds evenly.

## Where do I purchase seeds?

We have an easy online seed ordering system that carries a great variety of seeds tested for success in our units. All our seeds are untreated and most are organic and non-GMO, they are also packaged in quantities designed for microgreen density growing. You can purchase seeds from your local garden center but we do not guarantee their success in our units.

## How long do I keep the Humidity Domes on?

See our Planting, Growing and Cultivation Guide for information specific to the seed.

## Is my Cultivator heated or cooled?

No, the cultivator is equipped with fans that provide air circulation of ambient room temperature that aids in maintaining the set temperature.

## Is my Cultivator pre-programmed?

Yes, it comes pre-programmed for an average growing environment and an average for all plant needs.

# Frequently Asked Questions Cont'd

## *How often should I do maintenance on my cultivator?*

Please refer to the Maintenance Procedures and Tips pg 18.

## *What should I use to clean my cultivator?*

We recommend using 29%–35% Food Grade Hydrogen Peroxide (available through UC in Canada or at your local health food store) Follow dilution ratio recommended on bottle.

## *What do I do when I see mold? Can I still eat my microgreens/herbs?*

Carefully remove the moldy seeds and compost, then use the Food Grade Hydrogen Peroxide dilution in a spray bottle and spray daily for 3–4 days directly on soil, trying to avoid the leaves. Yes, you can still safely harvest and eat the micros/herbs. Harvest them by cutting them in 1/2" above the soil and rinse with fresh water.

## *Does my reservoir keep itself filled?*

Yes, if you chose the CITY MAINS MODE and your cultivator is plumbed into your main water supply. If you chose the STANDALONE MODE, no it will not keep itself filled, you will need to do this manually. See pg 7 for instructions.

## *Do I need to add nutrients?*

If you are planting with soil, nutrients are not required during germination as there are enough nutrients already in the soil. Nutrients should be added by week two for greens that last longer than two weeks. If you are planting with a soil-less medium or peat, nutrients should be added at the onset of planting.

## *How do I shut down the unit for the holidays?*

Simply follow the cleaning and maintenance procedures and ensure the cultivator is emptied of all greens and water. Unplug the unit until you are ready to start growing again.

## *What is the maximum water pressure allowed to safely operate the cultivator?*

60psi. Any pressurization exceeding this amount can result in mechanical failure, leaks and flooding. Please check your water pressure gauge and, if the psi value exceeds 60, get a licensed plumber to install a water pressure reducer.

## **WATCH OUR VIDEOS FOR MORE INFORMATION:**

<https://vimeo.com/album/3469454/video/157535407> – **Setting up Your Appliance**

<https://vimeo.com/album/3469454/video/157539692> – **Navigating Your Menu**

<https://vimeo.com/album/3469454/video/157692367> – **Planting Your First Crop**

# Maintenance Procedures and Tips

## A–B: Inside the reservoir

### A. DRAIN AND CLEAN RESERVOIR

(every month)

1. Drain reservoir.  
\*Note: 10–15% water will remain in the reservoir.
2. Remove remaining water with wet/dry vac or soft cloth.
3. Use food grade Hydrogen Peroxide solution in spray bottle to spray interior of reservoir.
4. Wipe down with soft cloth until debris is clear.

### B. CHECK WATER AIR STONE/AERATOR

(every month)

1. Locate the water mover/aerator (it is six inches long and located at the front of the reservoir).
2. Check to see if it is clear of debris.

## C–D: Inside the grow levels

### C. CLEAN DRAWERS

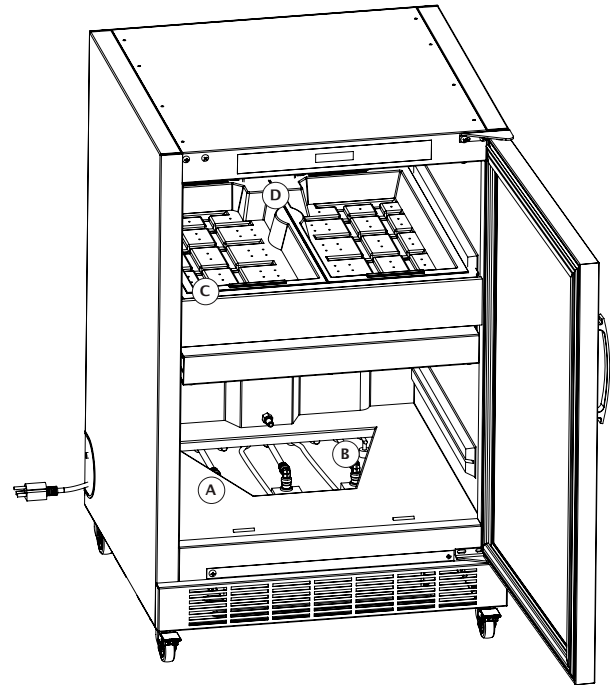
(every month)

1. Remove trays and drawers from cultivator.
2. Wash with hot soapy water and rinse thoroughly.  
(NOT DISHWASHER SAFE)

### D. CLEAN DRAWER FILTERS

(every month)

1. Remove filter from the drawer.
2. Soak for 10mins in Hydrogen Peroxide solution.



## Additional cleaning every 3 months.

Clean out the pipes and tubes inside the unit every 3 months. The best time to do this is immediately after you have cleaned your reservoir. Once the reservoir has been filled with fresh water, follow the below steps:

1. Add 2 Tbsp of 29% –35% food grade hydrogen peroxide to your reservoir and wait approximately 15 minutes for it to disperse evenly.
2. Run a complete manual water cycle on each level, and allow time for all of the water from each level to drain back into the reservoir.
3. Once that's complete, press recycle to drain and fill the reservoir with fresh new water.

# Sanitation and Food Safety Recommendations

At Urban Cultivator your health and safety is our number one concern. We want to ensure that a healthy lifestyle is available for everyone. Please read the information below regarding sanitation, growing, and food safety.

People have been concerned about food safety—and naturally so, considering recent reports of food poisoning in Europe. Many people are hesitant to eat uncooked sprouts as they seem to have been the source of the outbreak. You will be happy to know that microgreens are a safe alternative to sprouts.

Microgreens are not sprouts, but rather, baby plants that are intensely flavorful and loaded with nutrients. There are differences in growing and harvesting microgreens that make them much safer than sprouts.

## Starting with Seeds

Make sure that all seeds you buy have been handled as a food crop and not a farm planting seed crop. Seeds that have been in contact with animals or animal waste could be contaminated with salmonella or E. coli O157H7, leading to food poisoning. Reputable sprouting seed suppliers test all lots of seed for contamination.

At Urban Cultivator, we follow the steps for all of our seed, as recommended by the CFIA's Code of Practice for the Hygienic Production of Sprouted Seeds<sup>1</sup>.

"We insist that our seed producers adopt GAP (Good Agricultural Practice) and provide evidence that the product was grown according to section 3 of this Code."

We have obtained certificates of analysis for microbial pathogens of concern from our seed producers or distributors for each incoming lot.

We maintain a documented history of our seed suppliers' adherence to specifications (e.g. analytical results, GAP records, etc.)

Each bag of seed is labelled with the name of the seed producer or distributor, the lot number, and the country of origin.

Records are kept to facilitate trace-back and recall procedures.

## Sanitation

Always use clean seed (as stated above) and soil, tested for salmonella and E. coli contamination.

Sanitize equipment; regularly clean and sanitize all trays, machine and reservoir with the hydrogen peroxide rate recommended below. We recommend a thorough cleaning/disinfecting weekly, or when new trays are planted.

Don't let sprouts or seed come in contact with manure, etc. that may have bacterial contamination.

Hands and equipment must be clean at all times for handling microgreens.

Water in your reservoir should be clean, potable water, tested for bacterial contamination.

The small black filter at rear of the grow drawer must be soaked in Hydrogen Peroxide solution once a month.

CFIA has approved 2% chlorine from Calcium Hypochlorite as a seed sanitation method before sprouting; this is not necessary for microgreens, but can be done as an extra precaution. Ensure that there are no residual remains on finished sprouts or greens.

Rate: 85 mL Calcium Hypochlorite in 3.75L of warm water. Mix thoroughly, and soak the seed for 20 minutes. Rinse seed thoroughly in clean water, then finish soaking time in clean water. Avoid breathing the fumes of chlorine. Masks should be worn to filter out the fumes if you choose this method. This method is extensive for the home owner growing microgreens and not necessary; it is instead recommended for sprout growers.

Alternative to using Calcium Hypochlorite:

Soak seeds in hydrogen peroxide. Add 140mL of 5% hydrogen peroxide (20 mL if using 35% peroxide) and 20 mL of vinegar to 1L of room temperature water. Pour the solution over the seed, and let stand for 5 minutes. Make sure all of the seed is in contact with the solution. Drain and rinse the seeds several times to ensure that all of the solution has been removed. Next, plant seed as usual. This again is recommended for sanitizing seed before sprouting, and not necessary for microgreens.

## Growing Conditions

The environment in which the E. coli and salmonella pathogens thrive is warm and moist. Most commercial sprouts are grown in large tanks of water, which tumble the seeds much like a washing machine tumbles clothes. In these conditions, if one sprout becomes contaminated, it will be spread to all the other sprouts in the water bath.

Microgreens are not grown in water. We recommend growing them in sterile soil or another sterile media. While a sprout bath spreads pathogens from one sprout to another, soil acts like a filter, actually removing the source of contamination.

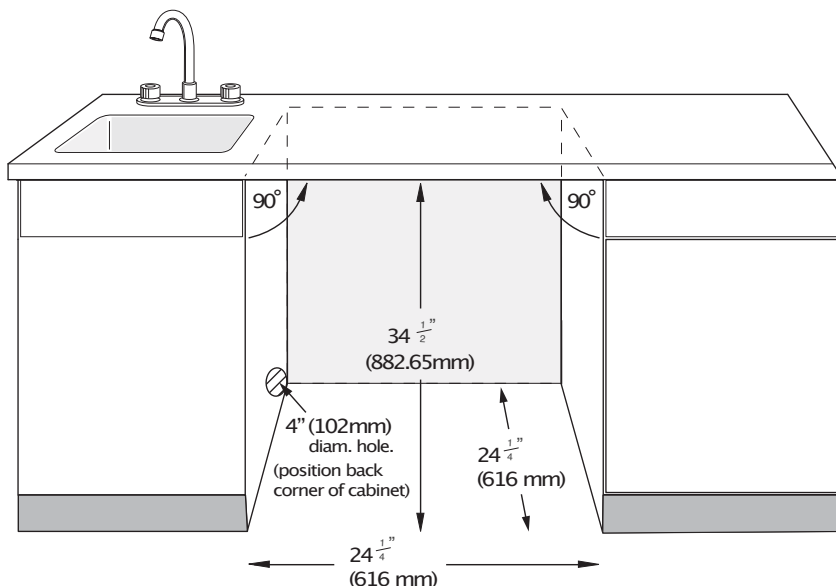
## Harvesting

While a sprout is consumed with the whole root system, seed and all, microgreens are new, small plants, just like you would find in your garden very early after seed germination. All microgreens should be harvested with clean hands, clipped at least 4 cm away from the root system and away from soil using clean, disinfected scissors (a simple wipe with hydrogen peroxide will disinfect them). Ensure all visible debris is removed from microgreens and cleaned thoroughly before consumption.

Refrigerate cut microgreens. Treat microgreens and foods containing them as you would any nutritious food.

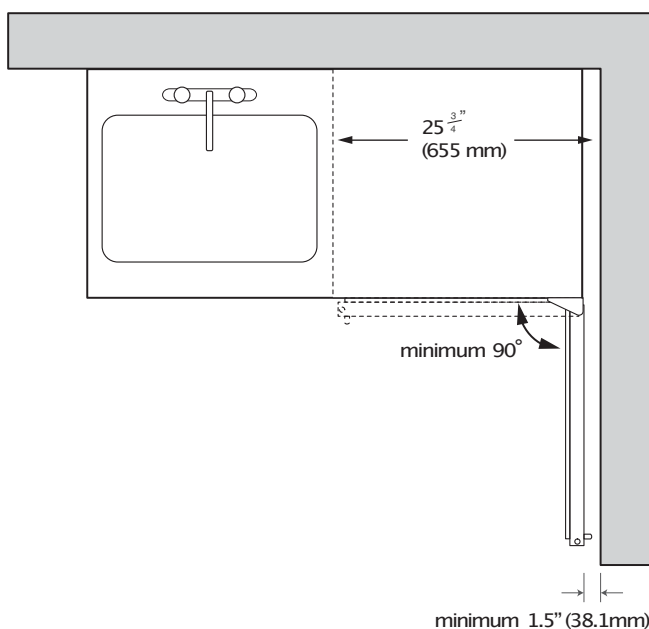
If you love sprouts, consider microgreens. Their bright and intense flavor profiles will be much more enjoyable now that you have confidence over the fact that they are also safe to enjoy.

# Enclosure Specification



Cabinet Cut-Out Dimensions		
Height	$34 \frac{1}{2}$ "	Width $24 \frac{1}{4}$ "
Product Dimensions Without Counter Top Or Wheels		
Height	$34 \frac{1}{4}$ "	Width 24"
Depth 24 5/8"		

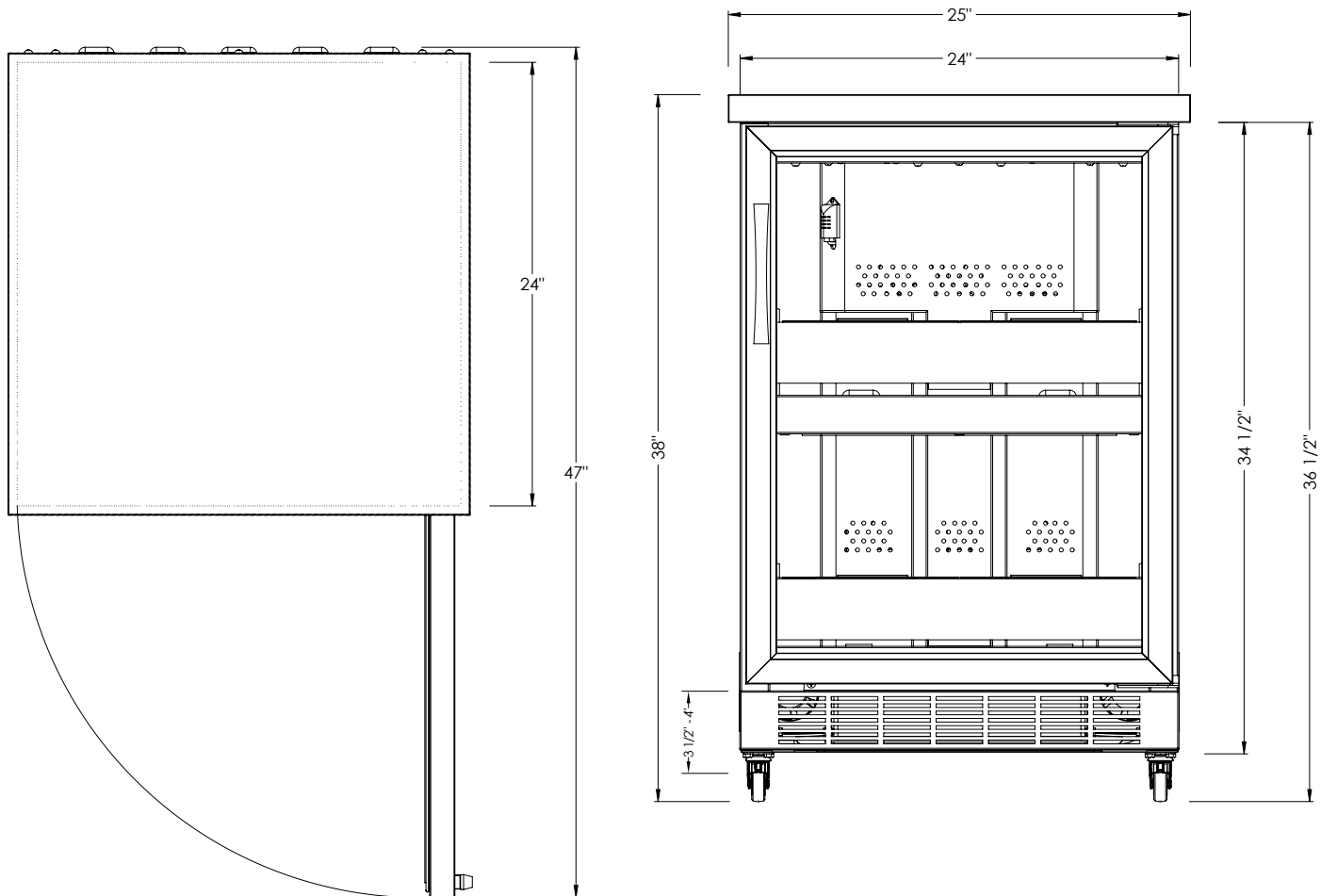
Allow an extra 1.5" (38mm) of clearance space if you are installing your Cultivator into a corner enclosure. The additional space is clearance for the Cultivator's door handle. The door must be able to open a minimum of 90 degrees to the cabinet so that the grow drawers may slide in and out.



**DISCLAIMER:** Please make sure to regularly follow the maintenance procedures. Urban Cultivator will not be responsible for any damage or failures arising from improper care or lack of maintenance to the unit.

# Technical Specifications

## External dimensions



## NOTE

All plumbing work required to install the Urban Cultivator Residential should be done by a certified professional (applicable for city water hook-up only).

Remove all the product packaging before positioning the Urban Cultivator Residential.

The city hook-up version needs to be no more than five feet from the city water connection and the drain pipe should be no higher than two feet from ground level. Both versions—the city hook-up and stand alone—need a 110V/240V power outlet to plug into.

The wall receptacle is non-replaceable.

# Service and Spare Parts

Please call our toll-free number 1-877-352-0490 or email support@urbancultivator.net if you think there is a problem with your Urban Cultivator Residential.

## Customer Care

In the event that your Urban Cultivator Residential requires service, or you wish to purchase plant supplies and spare parts please call us toll free on 1-877-352-0490 or email support@urbancultivator.net.

Please provide the following information when you are calling customer care:

- Your name, address, zip number or postal code.
- Your contact telephone number and best time to be reached.
- Clear and concise details of the problem.
- The model and serial number of the appliance can be found on the back of the product and by scrolling to the last menu option.
- The purchase date and name of the sales representative who sold you the Urban Cultivator Residential.

## Standard Guarantee Conditions

Urban Cultivator Limited guarantee that if within 12 months (labour) or within 3 years (parts) of the date of purchase this Urban Cultivator Residential appliance or any part thereof is proved to be defective due to faulty workmanship or materials, we will, at our option repair or replace the same FREE OF CHARGE for labour, materials, or carriage on condition that:

- The Urban Cultivator Residential has been correctly installed and used only on the electricity supply stated on the rating plate.
- The Urban Cultivator Residential has been used in accordance to the manufacturer's instructions.
- The Urban Cultivator Residential has not been tampered with by any person not authorised by us.
- All service work under this guarantee must be authorised by Urban Cultivator.
- Any appliance or defective component shall become the property of Urban Cultivator.
- This guarantee is in addition to your statutory and other legal rights.
- URBAN CULTIVATOR LIGHT BULBS CARRY A 1 YEAR WARRANTY.

## Connect With Us

