

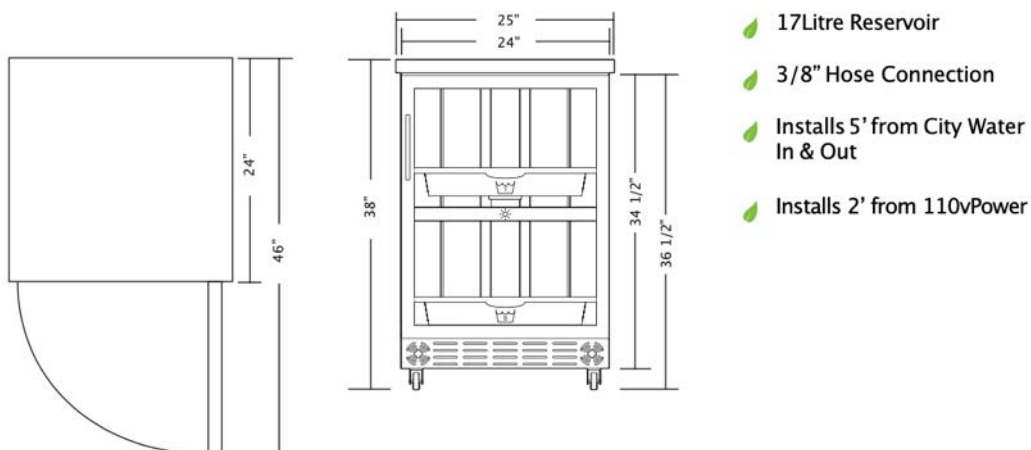
Υπάρχουν 2 modes λειτουργίας. Είτε standalone είτε citymode. Στο citymode που είναι αυτοματοποιημένη λειτουργία αλλαγής νερού, χρειάζεται την παρακάτω υποδομή.

Παροχή και αποχέτευση για το MicroGarden (να είναι μεγάλοι σωλήνες flexible ώστε να μπορεί να τραβηχτεί έξω) (παρακάτω)

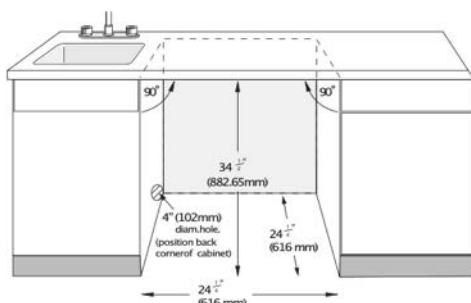
- min water pressure 30PSI - max water pressure 60psi standard **5³/₈" compression fitting**. (είναι στην αριστερή πλευρά ενώ ο σωλήνας που έρχεται εκεί είναι στα δεξιά)
- **αποχέτευση**. city Drain Hose (**1/2" to 3/4" hose connection**) to your city drain which should be no further than 6' from the Cultivator and 2' up from the floor.

MicroGarden

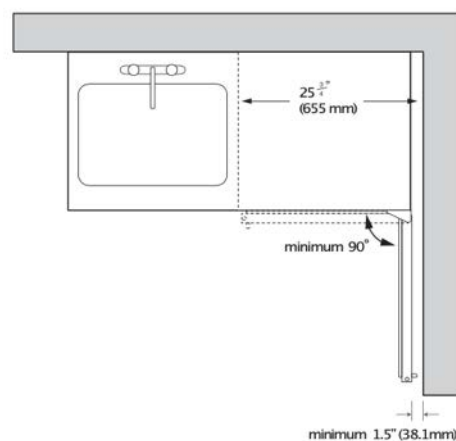
External Dimensions

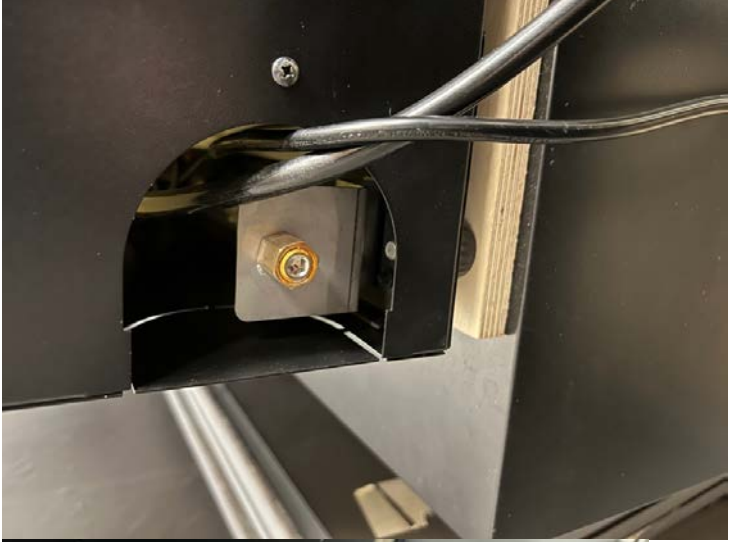


Enclosure Specifications



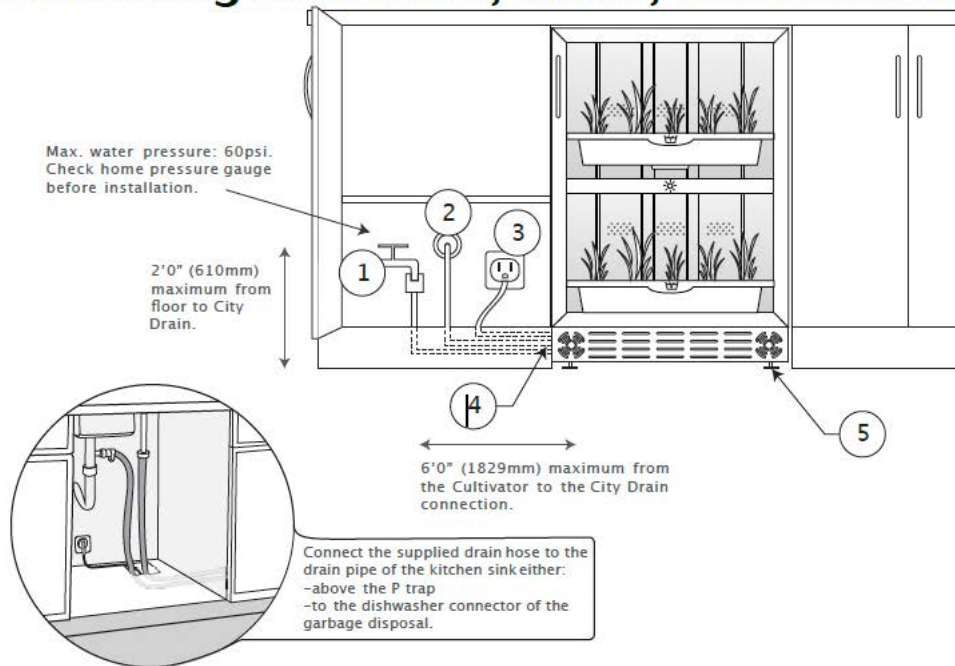
Cabinet Cut-Out Dimensions		
Height 34 ¹ / ₂ "	Width 24 ¹ / ₂ "	Depth 24 ¹ / ₂ "
Product Dimensions Without Counter Top Or Wheels		
Height 34 ¹ / ₄ "	Width 24"	Depth 24"







Connecting the Power, Water, and Electrici



Numbered Items

1. City Water In Connection (Min 30psi required)

Use braided City Hose to connect to your city water connection. The hose comes with a standard 5/8" compression fitting.

2. City Drain Out Connection

Connect the City Drain Hose (1/2" to 3/4" hose connection) to your city drain which should be no further than 6' from the Cultivator and 2' up from the floor.

3. Power Connection

Connect the Cultivator to a standard 110/240V power outlet. The electricity plug should be no further than 2' away from the unit and should run out on the same side as the water and drain hose. The wall receptacle is non-replaceable.

4. Hole Size For All Connections

Use a 4" hole saw and remove part of the bottom shelf of the cabinet adjacent to the Cultivator where all the connections run from.

5. Adjustable Feet

Twist the Cultivators feet to adjust its overall height from 34 1/4" to 34 1/2". Ensure product is level.

⚠ Leave 1 1/2" clearance gap for the door swing and handle when installing the Urban Cultivator Residential adjacent to a wall.

⚠ Water In, City Drain Out & Electricity connections run out from one side only, the left. Please contact Urban Cultivator using