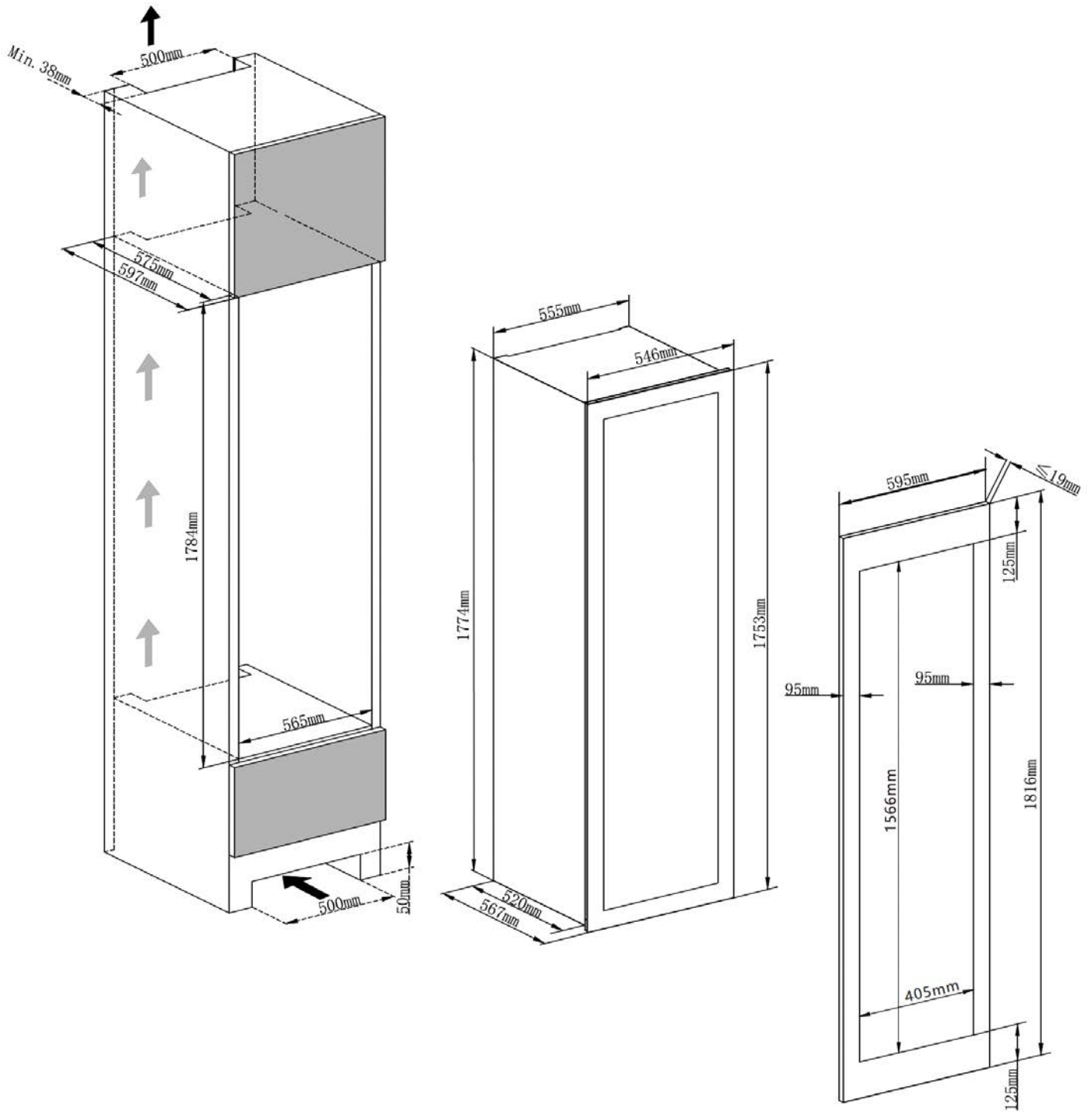
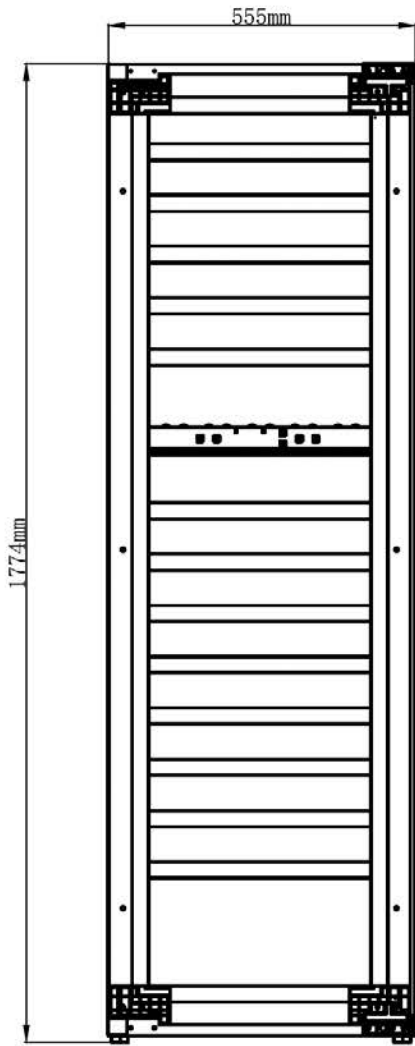


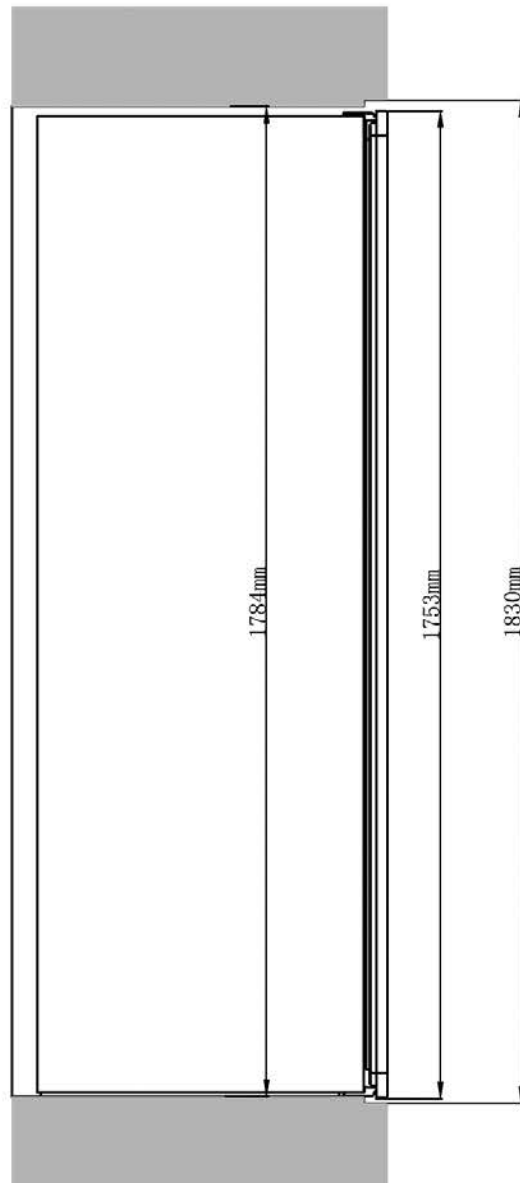
XPR W106DT Models with decor panel



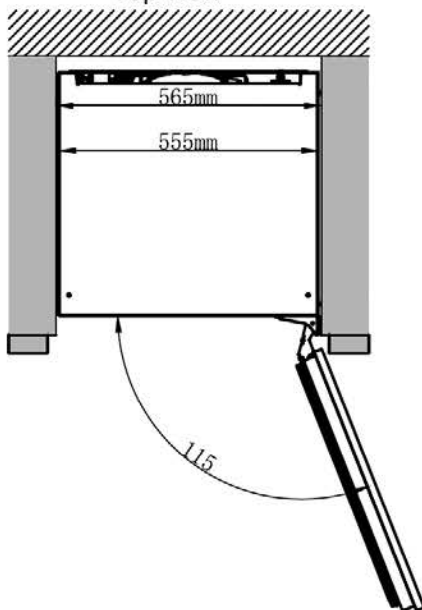
Front View

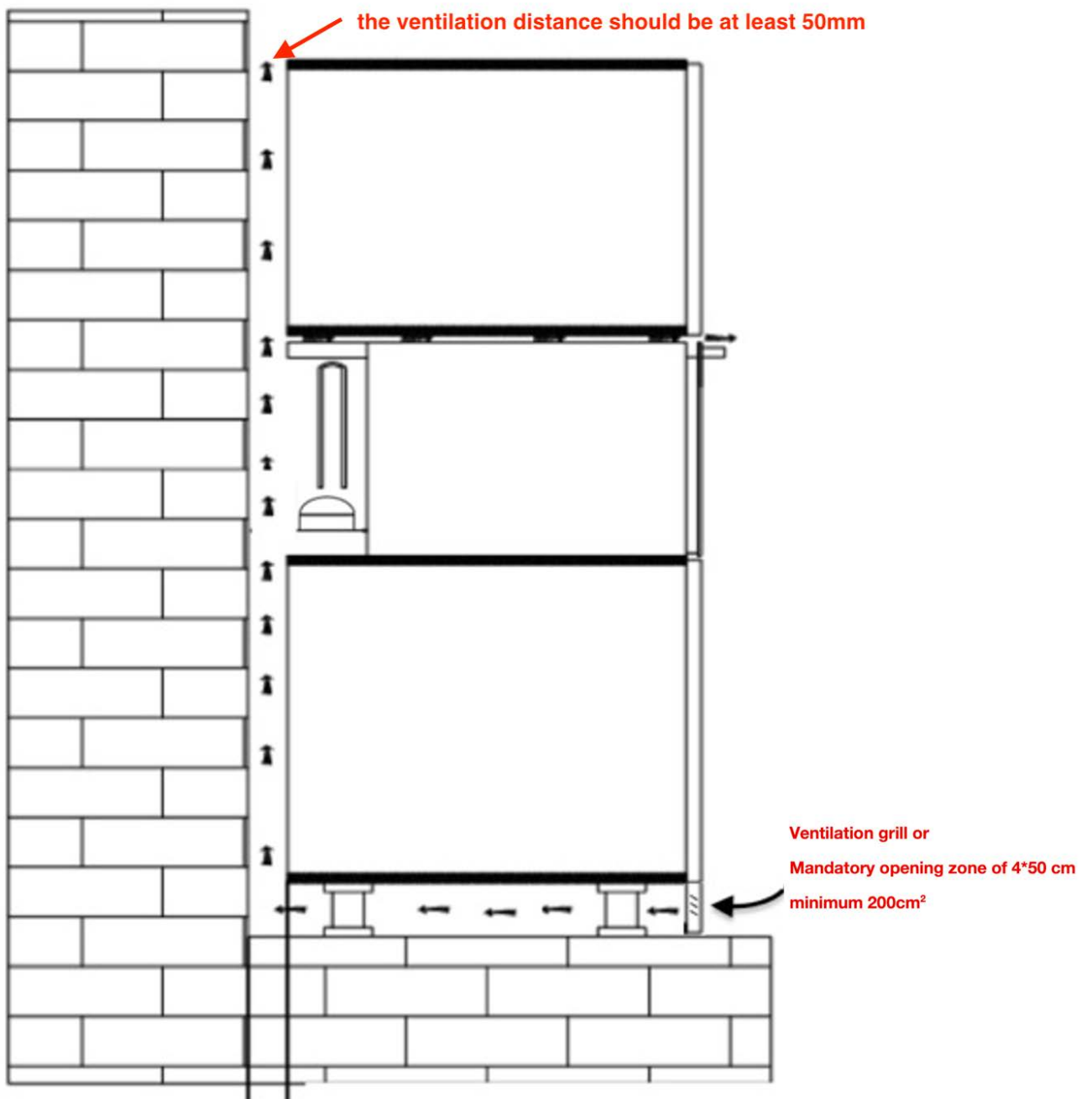


Side View



Top View

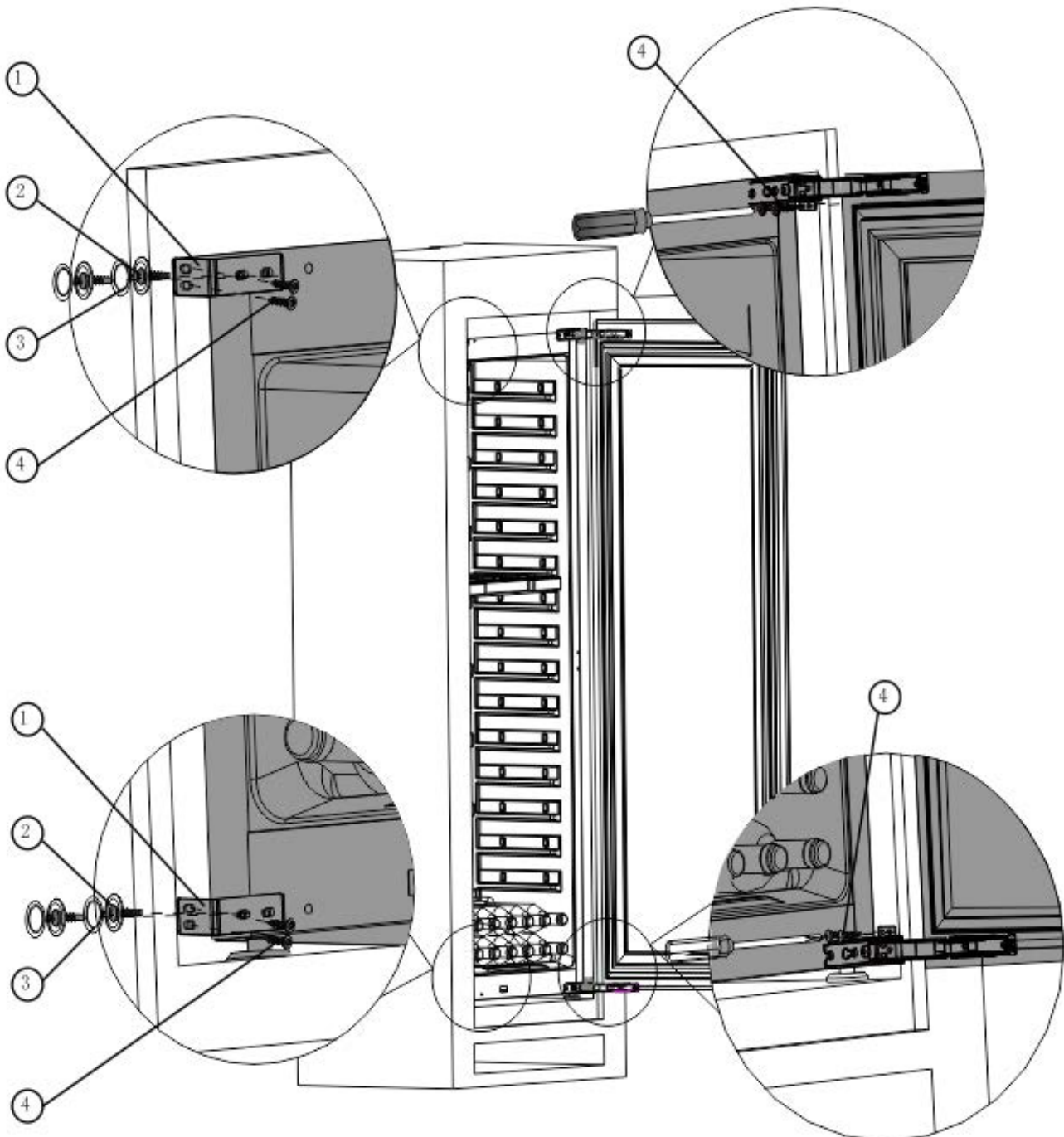




Fixing bracket installation

1. Level the wine cooler, take 2 fixing brackets ① 2 x 5*16 flat head screws ② and 4 screw covers ③ from the polybag. Remove 4 trunk-nails on the left side frame, fix the brackets ① on the left side of with a Philips screwdriver.

2. Take 4 X 4*12 self-tapping screws ④ from the polybag, fix the bracket ① on left side of cupboard with a Philips screwdriver. And take another 4 X 4*12 self-tapping screws ④, fix the right side door hinges to cupboard with these screws.



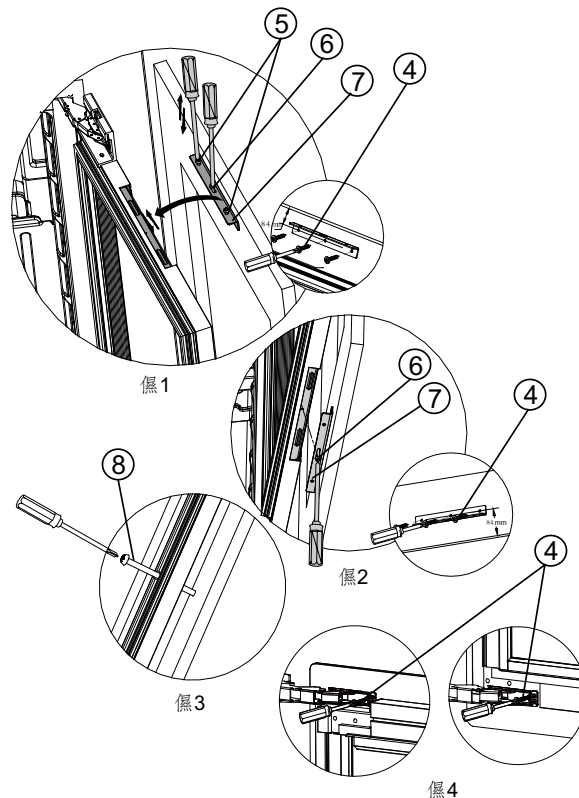
The wood panel can be adjusted on the door :

1. Take out the bracket ⑦, two 5 * 35 large flat screws and two 5 * 25 large flat screws ⑥ from the accessory bag, fix the bracket on the upper and lower sides of the door panel with 4 * 12 self tapping screws ④ according to the dimensions shown in the figure, put two 5 * 35 screws on the bracket, hang the door panel on the door body, place the screws in the oval groove in the door frame, realize left and right adjustment, and screw up and down with a screwdriver.

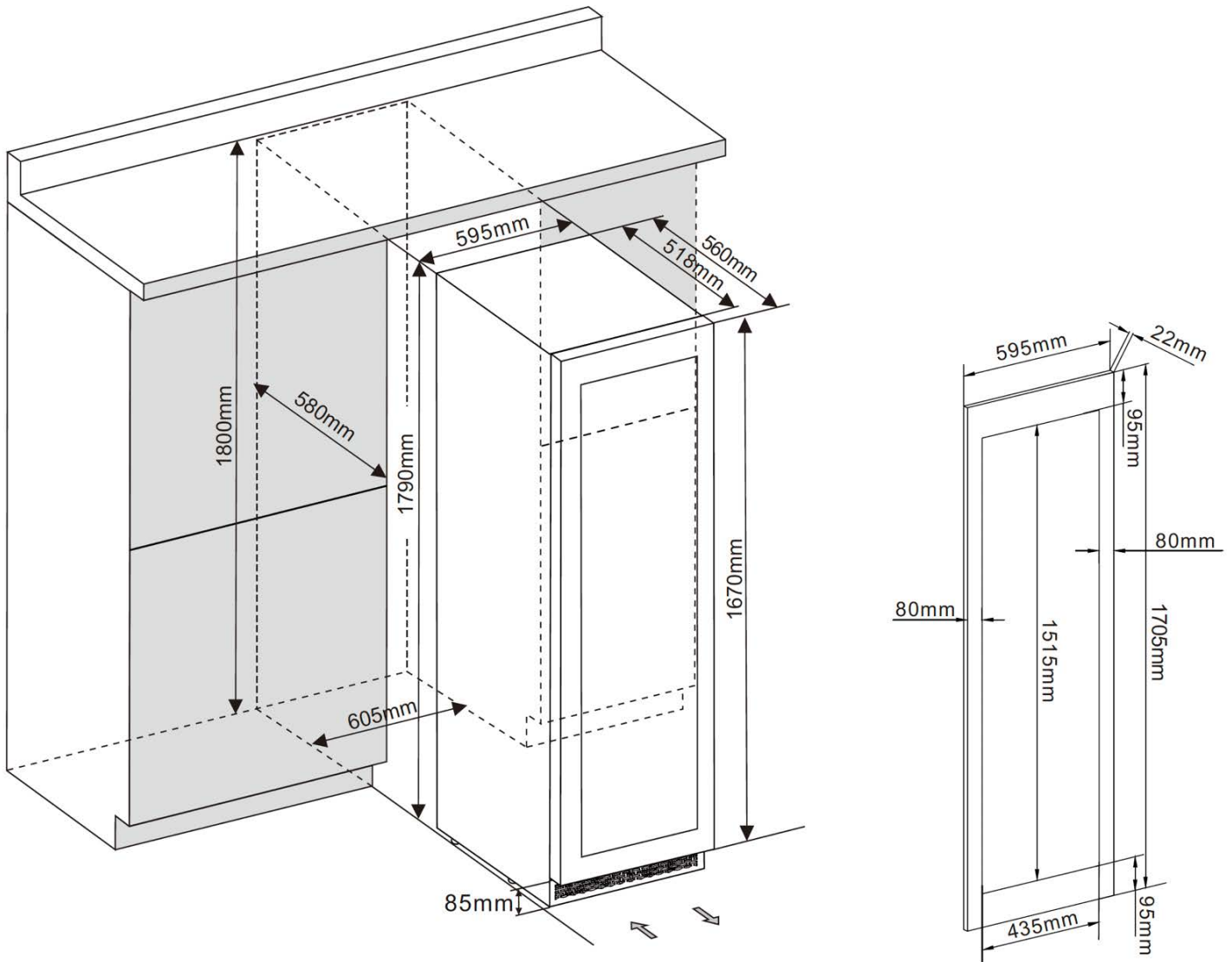
After the approximate position of the door panel is adjusted, screw two 5 * 25 screws through the oval hole of the positioning support ⑦ and into the middle hole of the door frame lining iron according to the figure, and tighten the screws to prevent the door body from loosening. (see Figure 1.2)

2. After the door panel is fully adjusted, take out six 4* 35 ⑧ long self tapping screws from the accessories package, uncover the door seal, drill the screws through the screw holes in the left and right door frames, and tighten the door panel (see Figure 3).

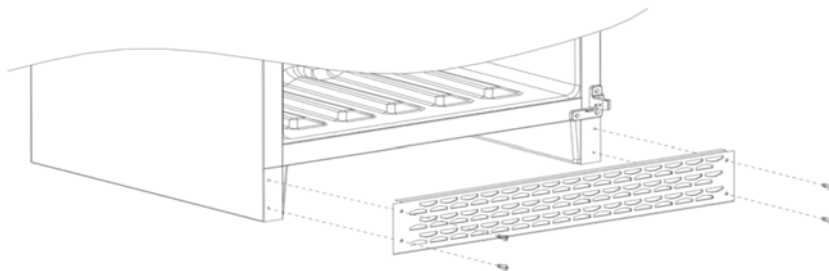
3. Finally, use 4 * 12 self tapping screws ④ to pass through the holes on the upper and lower door hinges and fix them on the door panel (see Fig. 4).



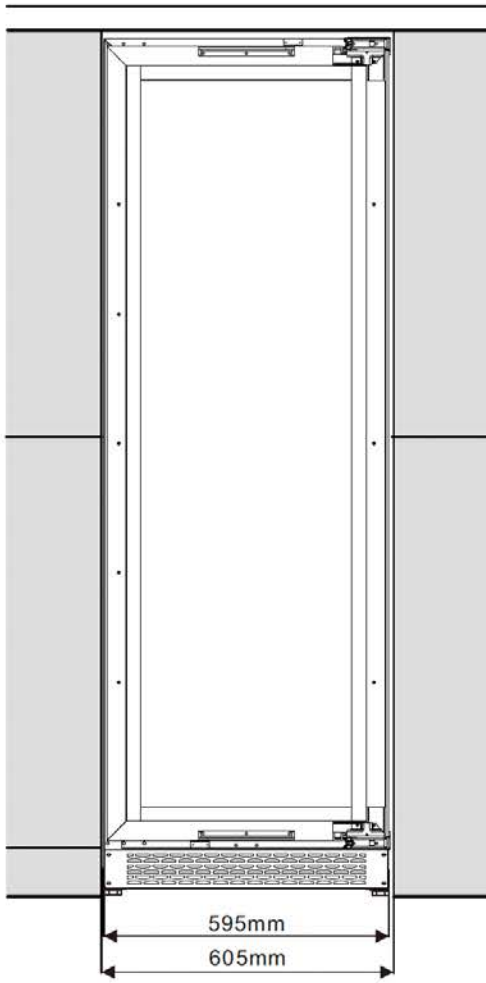
XPR W122 Models with Hettich hinge for decor panel



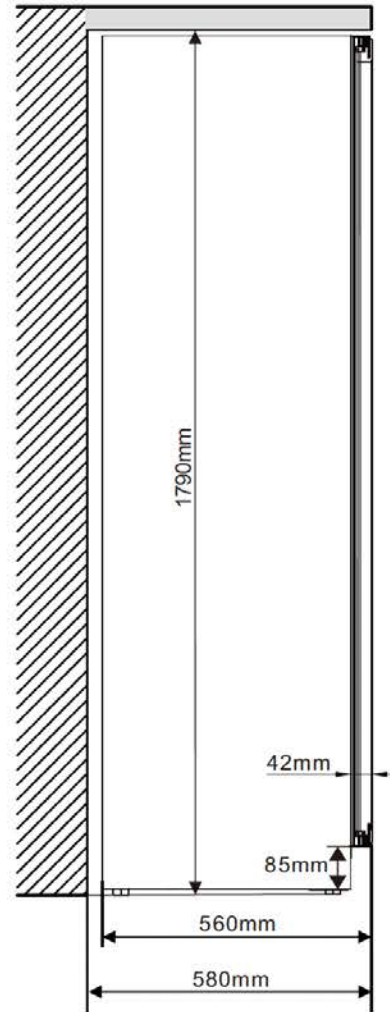
Ventilation Frame Can Be Removed. Décor Panel can go as low as 4-5cm above the ground to allow ventilation. **Mandatory opening zone of 4*55 cm minimum 220cm²**



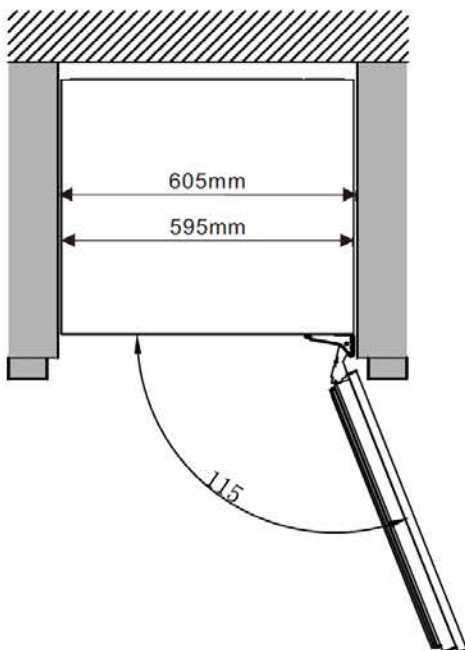
Front View



Side View



Top View



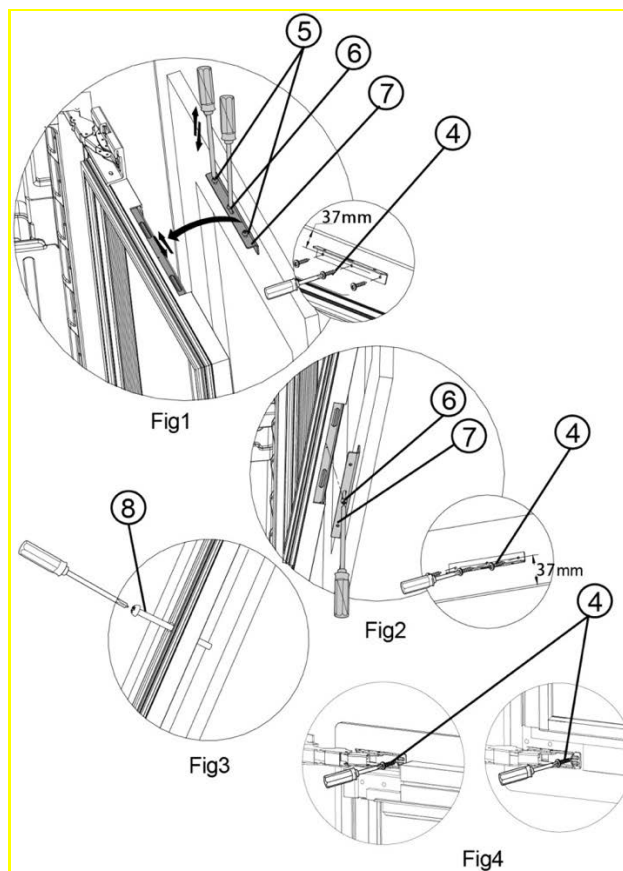
The wood panel can be adjusted on the door :

1. Take out the bracket ⑦, two 5 * 35 large flat screws ⑥ and two 5 * 25 large flat screws ④ from the accessory bag, fix the bracket on the upper and lower sides of the door panel with 4 * 12 self tapping screws ④ according to the dimensions shown in the figure, put two 5 * 35 screws on the bracket, hang the door panel on the door body, place the screws in the oval groove in the door frame, realize left and right adjustment, and screw up and down with a screwdriver.

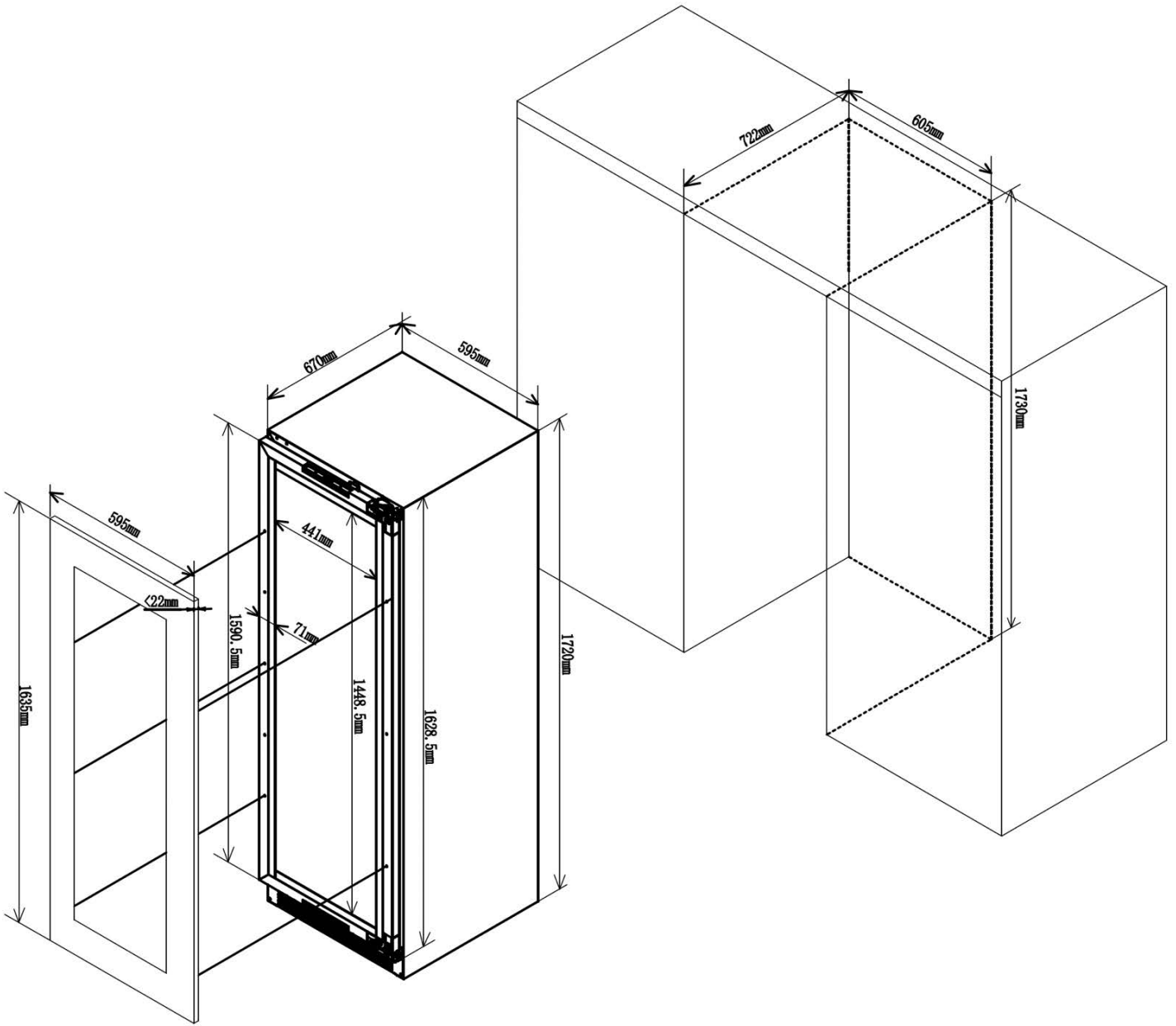
After the approximate position of the door panel is adjusted, screw two 5 * 25 screws through the oval hole of the positioning support ⑦ and into the middle hole of the door frame lining iron according to the figure, and tighten the screws to prevent the door body from loosening. (see Figure 1.2)

2. After the door panel is fully adjusted, take out six 4 * 35 ⑧ long self tapping screws from the accessories package, uncover the door seal, drill the screws through the screw holes in the left and right door frames, and tighten the door panel (see Figure 3).

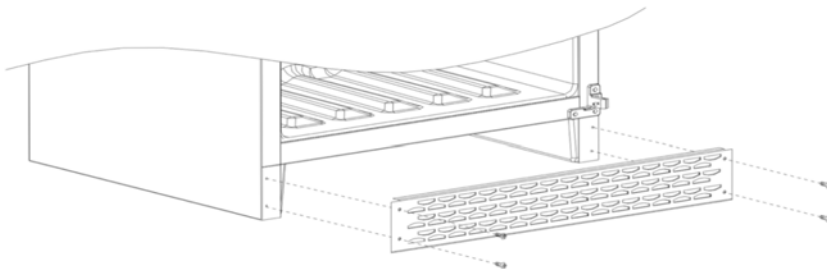
3. Finally, use 4 * 12 self tapping screws ④ to pass through the holes on the upper and lower door hinges and fix them on the door panel (see Fig. 4).

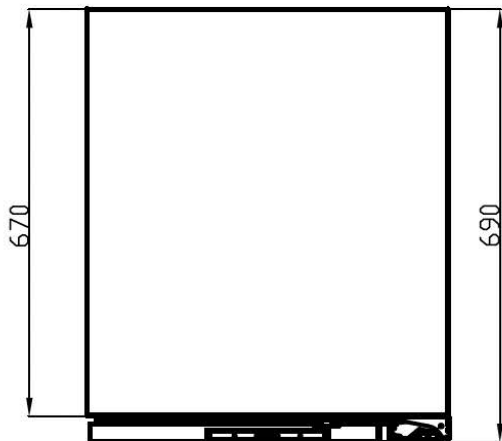
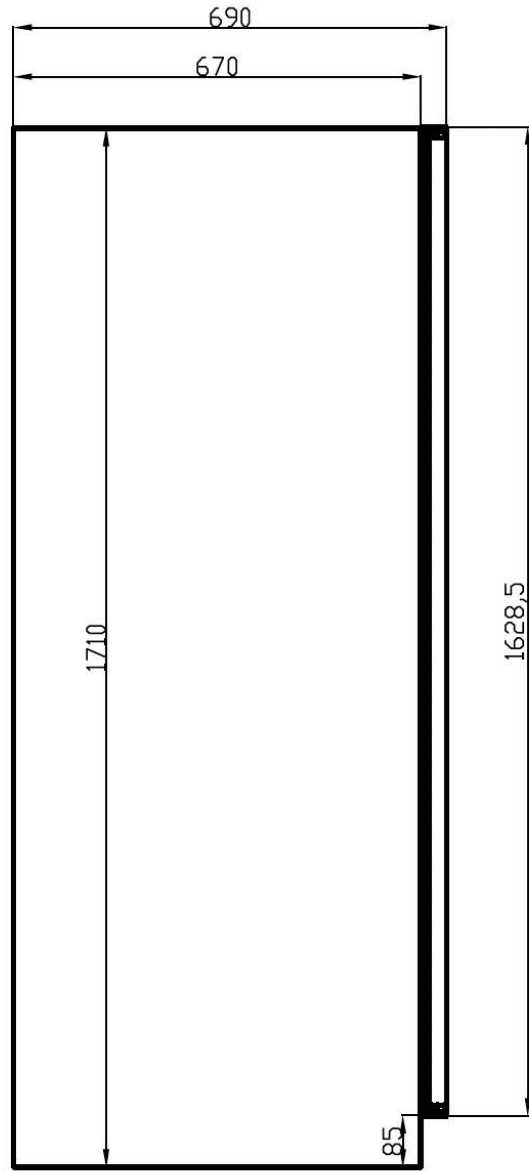
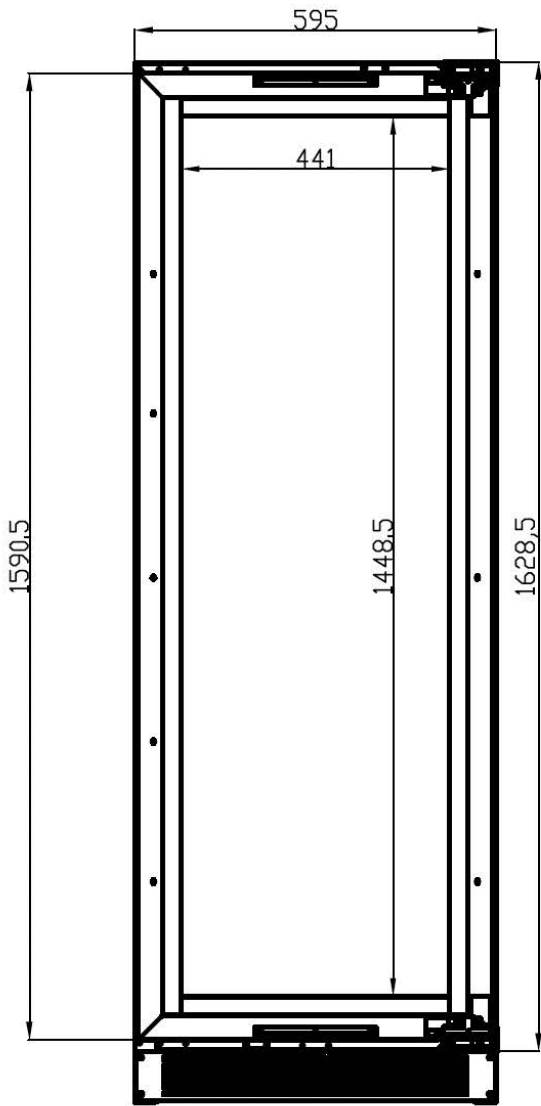


XPR W180 Models with Hettich hinge for decor panel

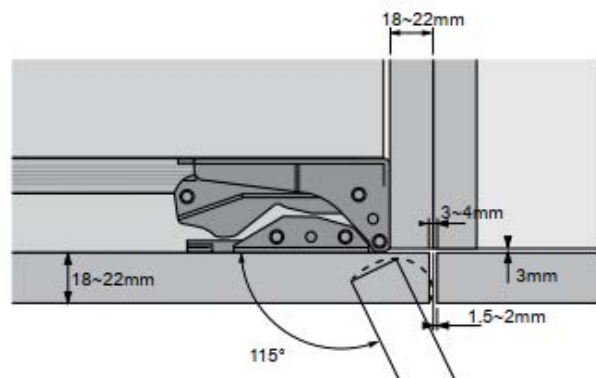
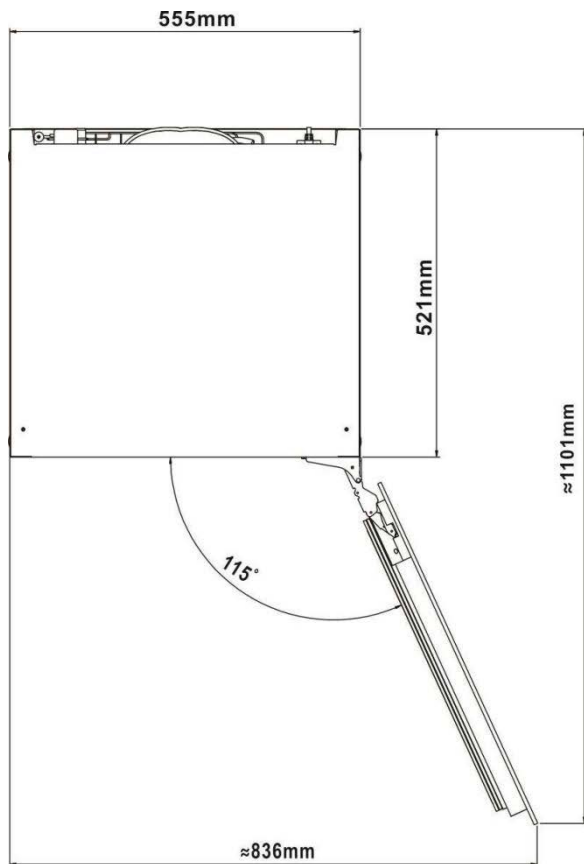


Ventilation Frame Can Be Removed. Décor Panel can go as low as 4-5cm above the ground to allow ventilation. **Mandatory opening zone of 4*55 cm minimum 220cm²**





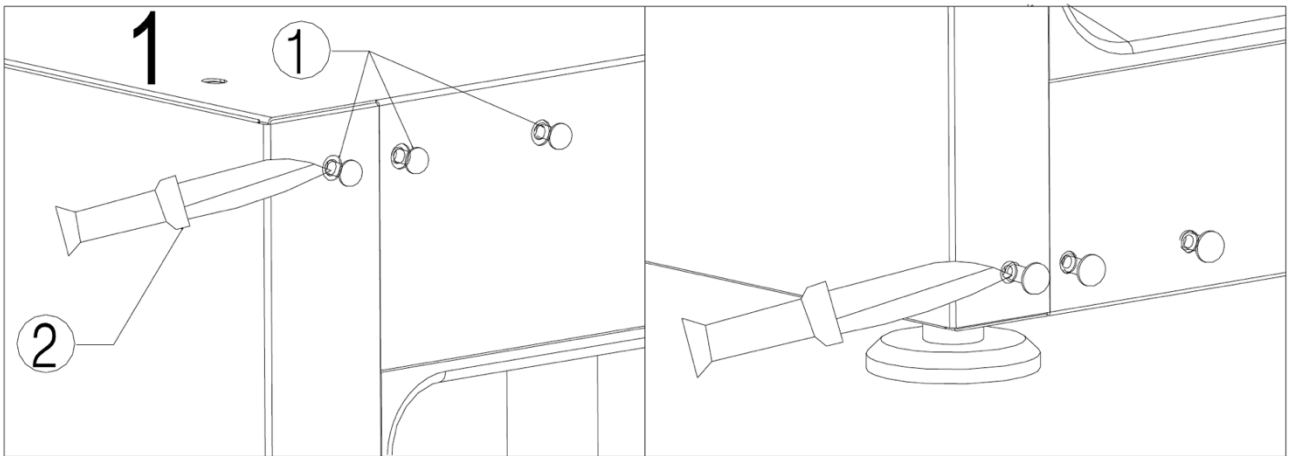
XPR W106DT/XPR W122/W180 with Hettich hinge Models



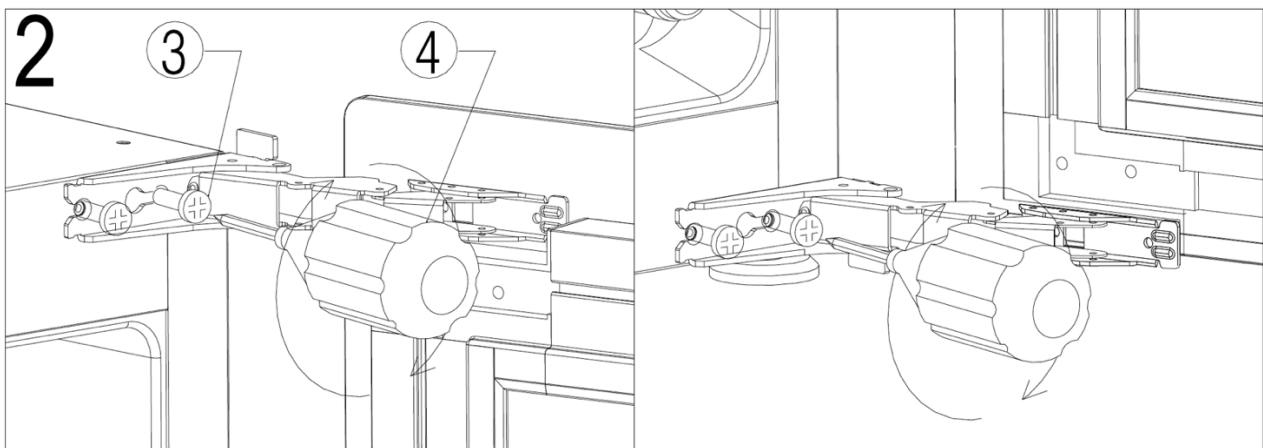
XPR W106DT, XPR W46 (with door panel), XPR W48DT (with door panel) , XPR W122DT W180DT (with door panel) models

1. Put the cabinet in an open operating area, have the door opened to the maximum angle.

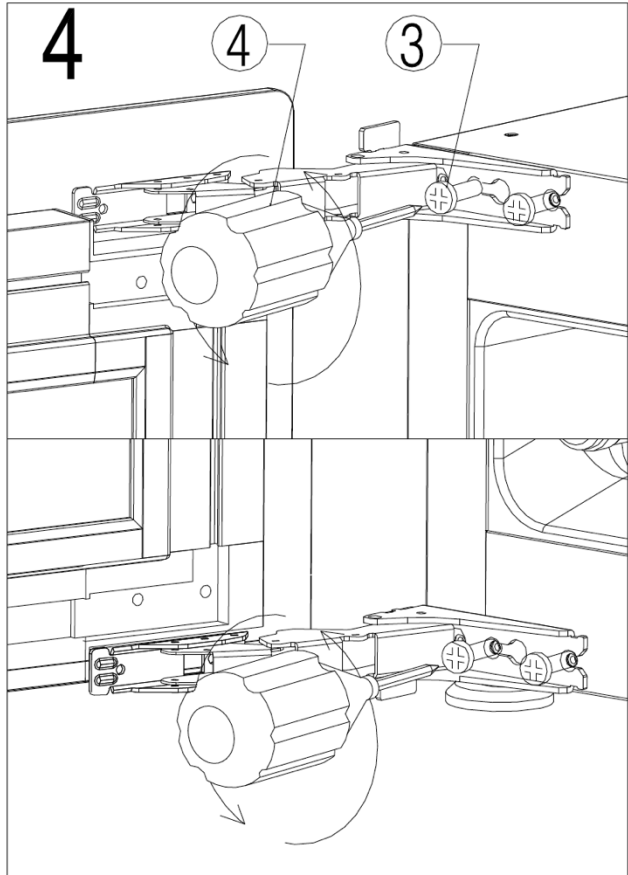
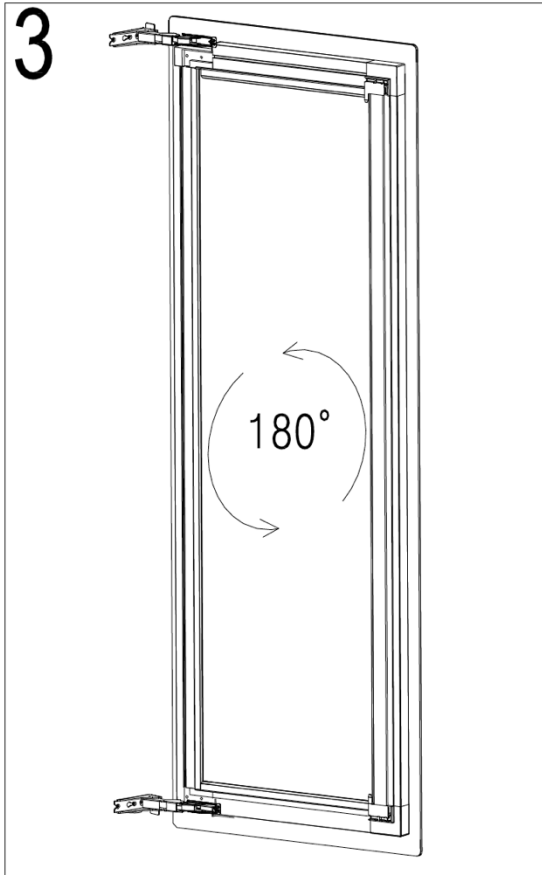
2. Use the knife^② to remove the decorative nails^① from the left side of the cabinet. (Figure 1)



3. Use the Phillips screwdriver^④ to remove the M5 Phillips countersunk screw^③ that fix the upper and lower door hinges. (Figure 2)



4. Rotate the door by 180 degrees, and install it to the other side of the cabinet. (Figure 3 and 4)



5. At last, install all decorative nails to the other side of the door①, door installation is all set! (Figure 5)

